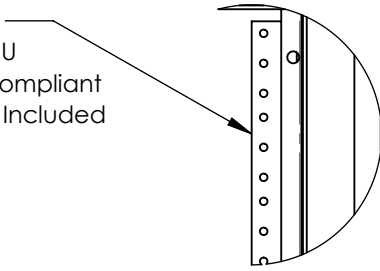
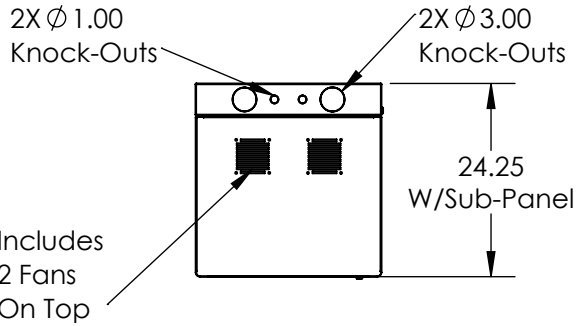


WALL MOUNT SERIES
48.00 X 23.23 X 24.25 (OD)

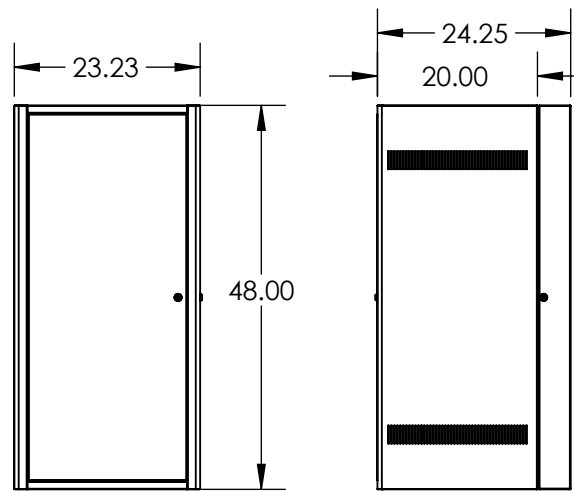
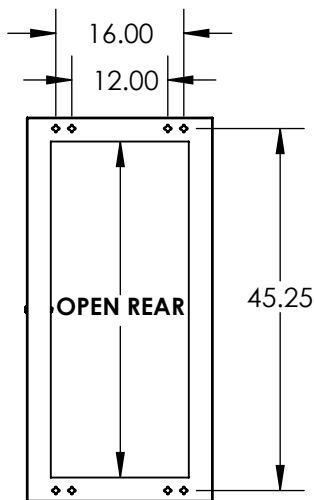
MOUNTING RAIL: 26U
 #10-32 Tapped Rails: 26U
 (1) Pair, 19" EIA-310-D Compliant
 20PC #10-32 Hardware Included
 Adjustable Front-Back
 Max EQ Depth 18.00"



TOP/BOT. VIEW:
 Vented, 2-Fan Ready
 Cable Knock-outs

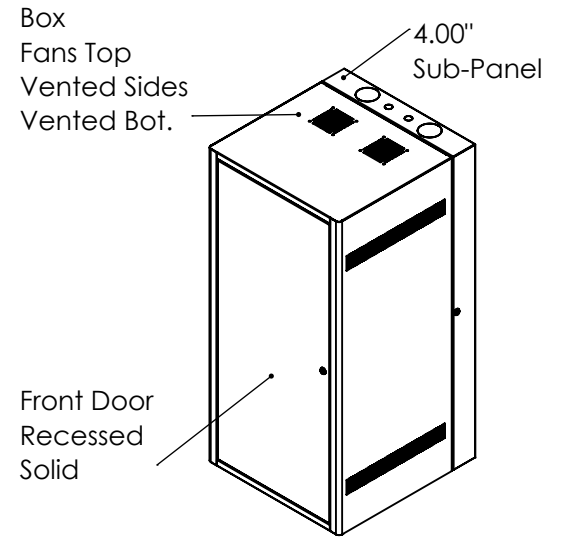


REAR VIEW:
 Open Sub-Panel
 Mounting Dims:
 45.25 X 12.00
 45.25 X 16.00



Front View

Side View



DIMENSIONS

Height 48.00"
 Width 23.23"
 Depth 24.25"

MOUNTING RAIL

26U, L-Rack Angles
 #10-32 Tapped Holes
 19.00" Rackable
 11GA CRS (.119" THK.)

FRONT DOOR

Solid, Recessed
 Dim. 45.84"H X 19.84"W X 0.63"D
 18GA CRS (.048" THK.)

ACCESSORIES

All Accessories Sold Separately

WT CAPACITY

125 LBS
 Static Cap

REAR PANEL

4.00" Deep Sub-Panel
 Ø3.00 Knock-Outs
 Ø1.00 Knock-Outs
 14GA (.074" THK.)

COLOR

Black Textured
 Epoxy Powder-Coat

CLASSIFICATION

19" EIA-310-D
 Compliant

SPA
 Signature PRODUCTS LLC.
 Product of America

PROPRIETARY AND CONFIDENTIAL
 THE INFORMATION CONTAINED IN THIS DRAWING IS THE SOLE PROPERTY OF SIGNATURE PRODUCTS, ANY REPRODUCTION IN PART OR AS A WHOLE WITHOUT THE WRITTEN PERMISSION OF SIGNATURE PRODUCTS IS PROHIBITED.

TITLE: Wall Mount Cabinet 48.00 X 23.23 X 24.25 - 2 Fans		
SIZE A	DWG. NO. SWM48SARF-BK	REV 1
SCALE: 1:16		SHEET 7 OF 1