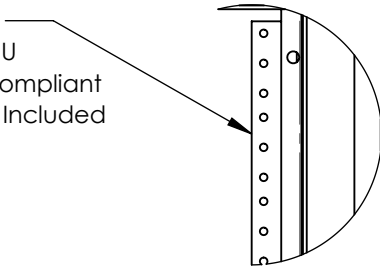
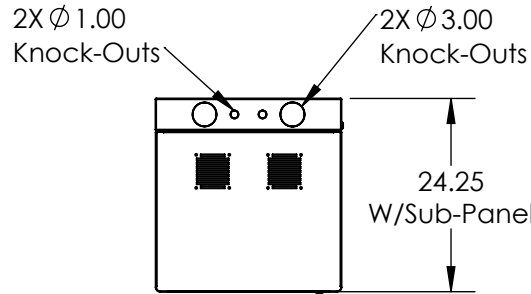


**WALL MOUNT SERIES**  
**48.00 X 23.23 X 24.25 (OD)**

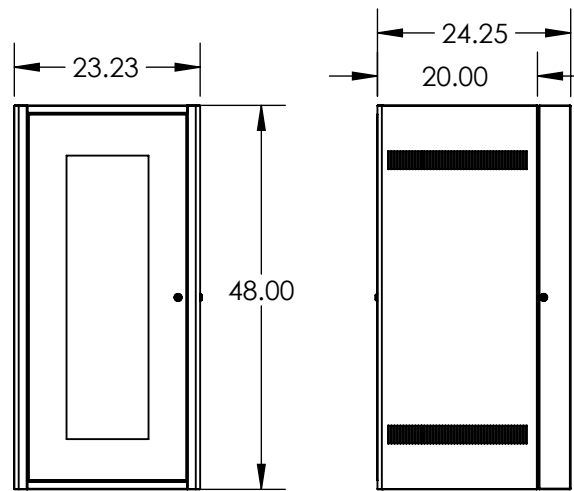
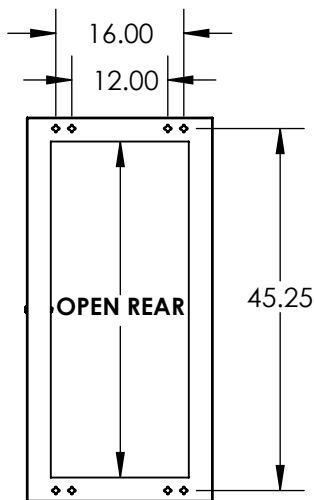
**MOUNTING RAIL:** 26U  
 #10-32 Tapped Rails: 26U  
 (1) Pair, 19" EIA-310-D Compliant  
 20PC #10-32 Hardware Included  
 Adjustable Front-Back  
 Max EQ Depth 18.00"



**TOP/BOT. VIEW:**  
 Vented, 2-Fan Ready  
 Cable Knock-outs

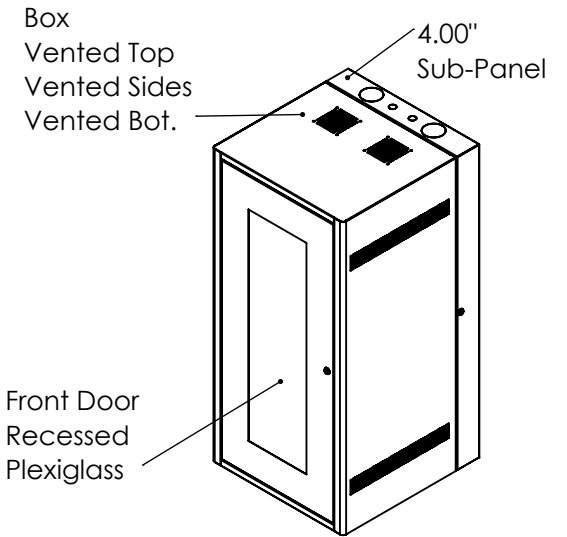


**REAR VIEW:**  
 Open Sub-Panel  
 Mounting Dims:  
 45.25 X 12.00  
 45.25 X 16.00



**Front View**

**Side View**



**DIMENSIONS**

Height 48.00"  
 Width 23.23"  
 Depth 24.25"

**MOUNTING RAIL**

26U, L-Rack Angles  
 #10-32 Tapped Holes  
 19.00" Rackable  
 11GA CRS (.119" THK.)

**FRONT DOOR**

Plexiglass, Recessed  
 Dim. 45.84"H X 19.84"W X 0.63"D  
 18GA CRS (.048" THK.)

**ACCESSORIES**

All Accessories Sold Separately

**WT CAPACITY**

125 LBS  
 Static Cap

**REAR PANEL**

4.00" Deep Sub-Panel  
 Ø3.00 Knock-Outs  
 Ø1.00 Knock-Outs  
 14GA (.074" THK.)

**COLOR**

Black Textured  
 Epoxy Powder-Coat

**CLASSIFICATION**

19" EIA-310-D  
 Compliant



**PROPRIETARY AND CONFIDENTIAL**  
 THE INFORMATION CONTAINED IN THIS  
 DRAWING IS THE SOLE PROPERTY OF  
 SIGNATURE PRODUCTS, ANY  
 REPRODUCTION IN PART OR AS A WHOLE  
 WITHOUT THE WRITTEN PERMISSION OF  
 SIGNATURE PRODUCTS IS PROHIBITED.

TITLE: Wall Mount Cabinet 48.00 X 23.23 X 24.25		
SIZE A	DWG. NO. SWM48PARO-BK	REV 1
SCALE: 1:16		SHEET 1 OF 1