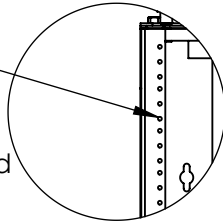
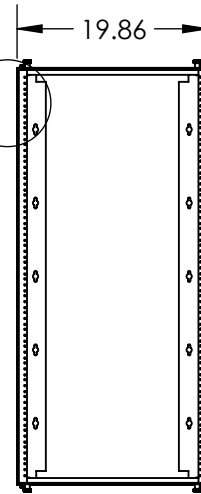
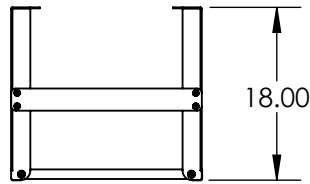


**Swing Out Wall Rack:
43.25X19.86X18.00**

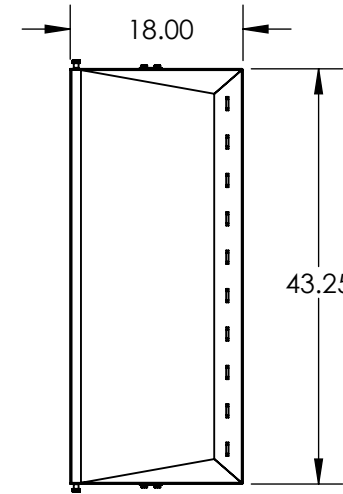
MOUNTING RAIL: 24U
10-32 Tapped Rails, 24U
(1) Pair, 19" EIA-310-D Compliant
20PCS #10-32 Hardware Included
Max. EQ Depth: 18.00"



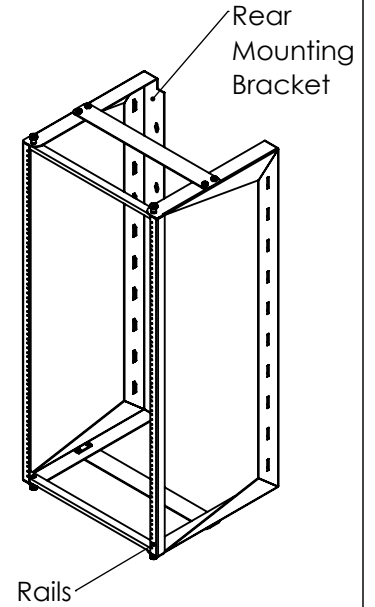
TOP VIEW
Open



FRONT VIEW

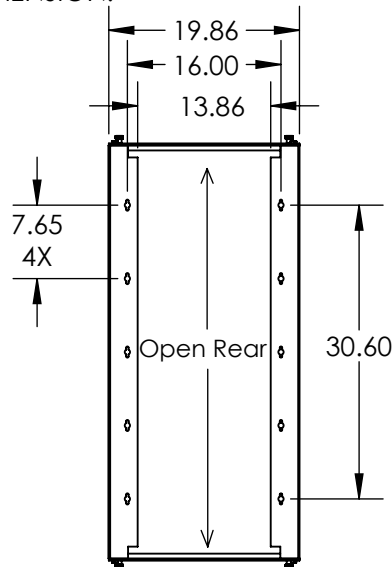


SIDE VIEW



REAR VIEW

OPEN SUB-PANEL
MOUNTING DIMENSION:
30.60" X 16.00"
7.65" X 16.00"



DIMENSIONS

Height: 43.25"
Width: 19.86"
Depth: 18.00"

WT. CAPACITY

100LBS. Static Cap

MOUNTING RAIL

24 U, L Rack Angles
10-32 Tapped Holes
EIA Spcing, 5/8X5/8X1/2
19.000 " Rackable

REAR SUB-PANEL

N/A

FRONT DOOR

N/A

COLOR

Black Textured
Epoxy Powder-Coat

ACCESSORIES

N/A

CLASSIFICATION

19" EIA-310-D



PROPRIETARY AND CONFIDENTIAL
THE INFORMATION CONTAINED IN THIS
DRAWING IS THE SOLE PROPERTY OF
SIGNATURE PRODUCTS. ANY
REPRODUCTION IN PART OR AS A WHOLE
WITHOUT THE WRITTEN PERMISSION OF
SIGNATURE PRODUCTS IS PROHIBITED.

TITLE: Swing Out Wall Rack
43.25 x 19.86 x 18.00
10-32 Tapped Holes

SIZE	DWG. NO.	REV
A	SWR48S-FBK	-
SCALE: 1:2	WT: 31.3LBS	SHEET 1 OF 1