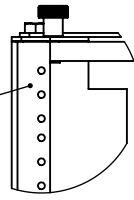


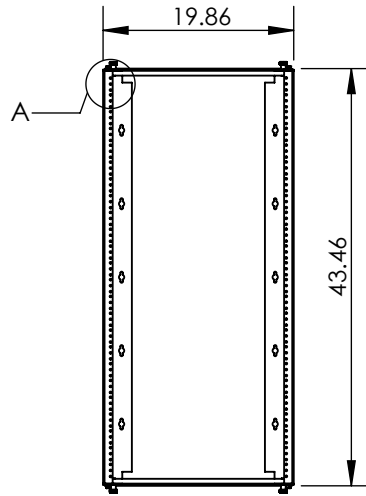
Swing Out Wall Rack: 43.25X19.86X24.00

MOUNTING RAIL: 24U

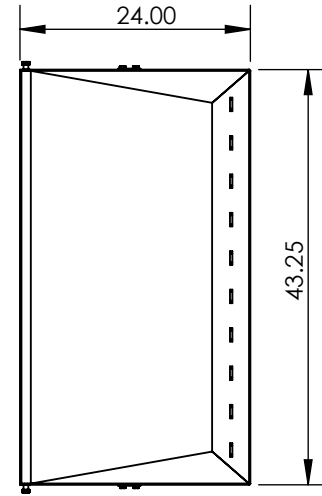
12-24 Tapped Rails, 24U
(1) Pair, 19" EIA-310-D Compliant
20PC 12-24 Hardware Included
Max. EQ Depth: 18.00"



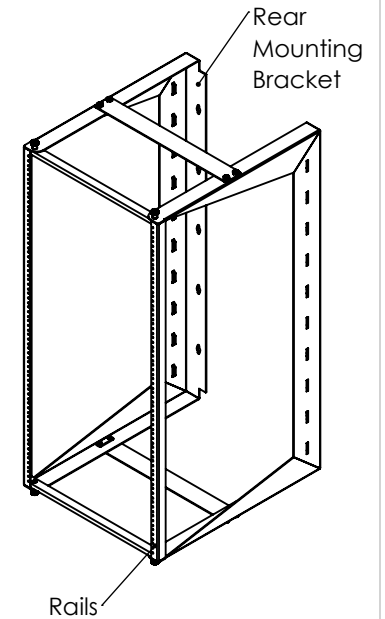
DETAIL A



FRONT VIEW



SIDE VIEW

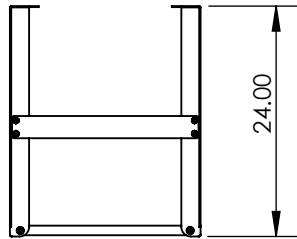


Rails

Rear Mounting Bracket

TOP VIEW

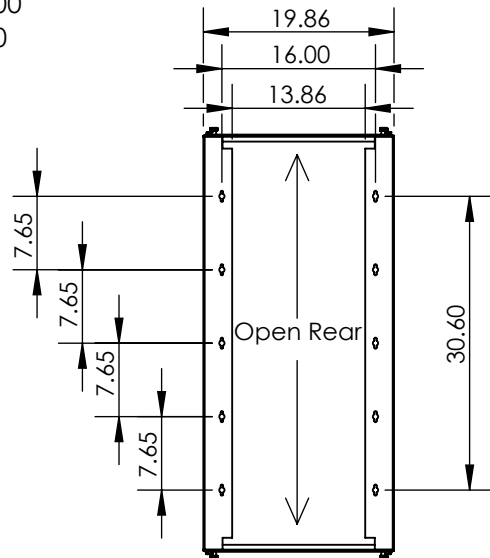
Open



24.00

REAR VIEW

OPEN SUB-PANEL
MOUNTING DIMENSION:
30.600X16.000
7.650X16.000



Open Rear

30.60

DIMENSIONS

Height: 43.25"
Width: 19.86"
Depth: 24.00"

WT. CAPACITY

100LBS. Static Cap

MOUNTING RAIL

24 U, L Rack Angles
12-24 Tapped Holes
EIA Spcing, 5/8X5/8X1/2
19.000 " Rackable

REAR SUB-PANEL

N/A

FRONT DOOR

N/A

COLOR

Black Textured
Epoxy Powder-Coat

ACCESSORIES

N/A

CLASSIFICATION

19" EIA-310-D
Compliant



TITLE: Swing Out Wall Rack
43.25X19.86X24.00

PROPRIETARY AND CONFIDENTIAL
THE INFORMATION CONTAINED IN THIS
DRAWING IS THE SOLE PROPERTY OF
SIGNATURE PRODUCTS. ANY
REPRODUCTION IN PART OR AS A WHOLE
WITHOUT THE WRITTEN PERMISSION OF
SIGNATURE PRODUCTS IS PROHIBITED.

SIZE
A

DWG. No.
SWR48C24D-FBK

REV
-

SCALE: 1:20

SHEET 1 OF 1