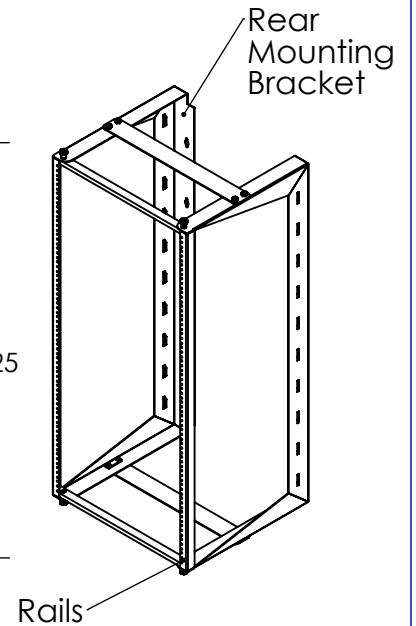
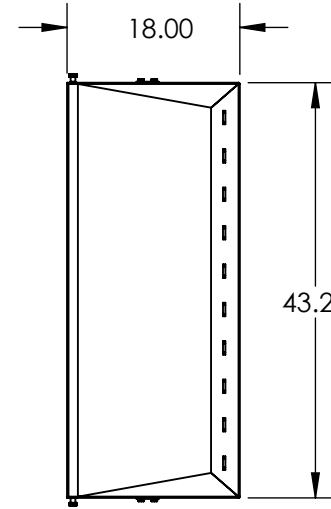
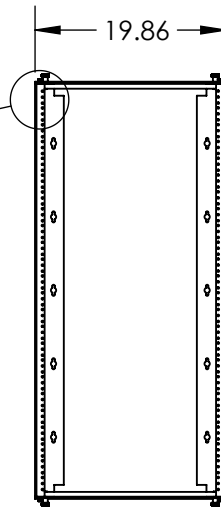
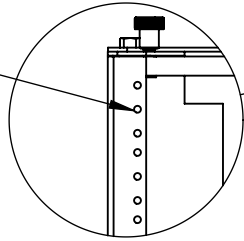


Swing Out Wall Rack: 43.25X19.86X18.00

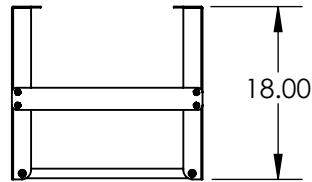
MOUNTING RAIL: 24U

#12-24 Tapped Rails, 24U
 (1) Pair, 19" EIA-310-D Compliant
 20PCS #12-24 Hardware Included
 Max. EQ Depth: 18.00"



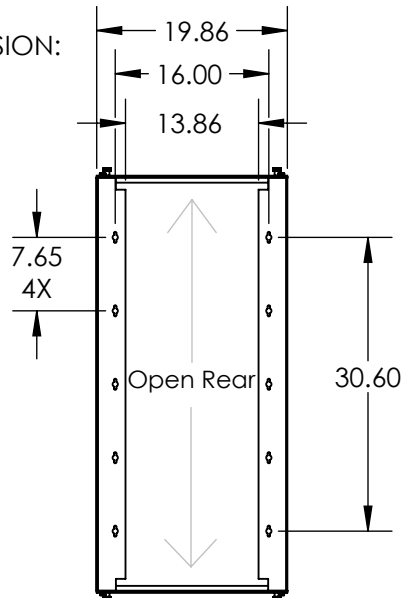
TOP VIEW

Open



REAR VIEW

OPEN SUB-PANEL
 MOUNTING DIMENSION:
 30.60" X 16.00"
 7.65" X 16.00"



DIMENSIONS

Height: 43.25"
 Width: 19.86"
 Depth: 18.00"

MOUNTING RAIL

24 U, L Rack Angles
 #12-24 Tapped Holes
 EIA Spcing, 5/8X5/8X1/2
 19.00 " Rackable

FRONT DOOR

N/A

ACCESSORIES

N/A

WT. CAPACITY

100LBS. Static Cap

REAR SUB-PANEL

N/A

COLOR

Black Textured
 Epoxy Powder-
 Coat

CLASSIFICATION

19" EIA-310-D

SPA
 Signature PRODUCTS LLC.
 Product of America

PROPRIETARY AND CONFIDENTIAL
 THE INFORMATION CONTAINED IN THIS
 DRAWING IS THE SOLE PROPERTY OF
 SIGNATURE PRODUCTS, ANY
 REPRODUCTION IN PART OR AS A WHOLE
 WITHOUT THE WRITTEN PERMISSION OF
 SIGNATURE PRODUCTS IS PROHIBITED.

TITLE: Swing Out Wall Rack 43.25 x 19.86 x 18.00 #12-24 Tapped Holes		
SIZE	DWG. NO.	REV
A	SWR48C-FBK	-
SCALE: 1:2	WT:31.3LBS	SHEET 1 OF 1