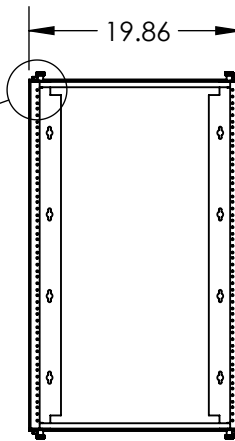
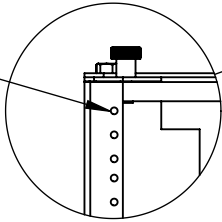
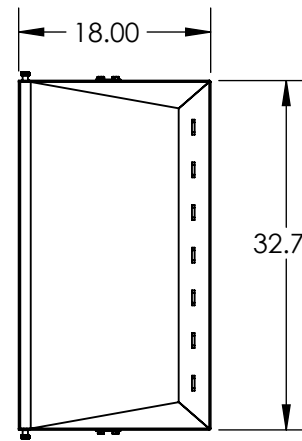


**Swing Out Wall Rack:
32.75X19.86X18.00**

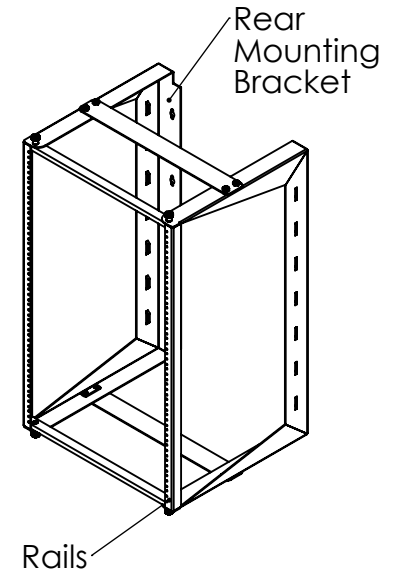
MOUNTING RAIL: 18U
 # 10-32 Tapped Rails, 18U
 (1) Pair, 19" EIA-310-D Compliant
 20PCS #10-32 Hardware Included
 Max. EQ Depth: 18.00"



FRONT VIEW

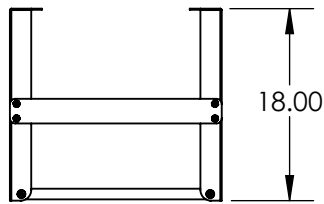


SIDE VIEW



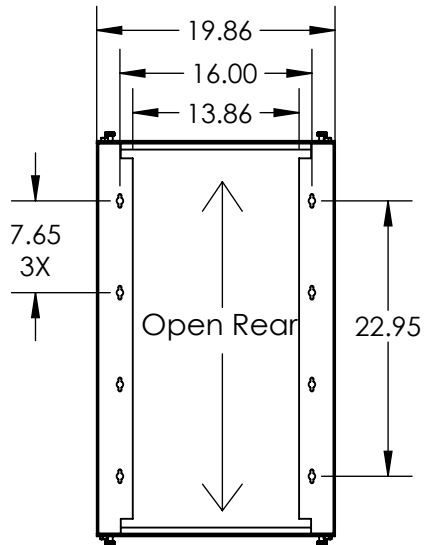
TOP VIEW

Open



REAR VIEW

OPEN SUB-PANEL
 MOUNTING DIMENSION:
 22.95" X 16.00"
 7.65" X 16.00"



DIMENSIONS

Height: 32.75"
 Width: 19.86"
 Depth: 18.00"

WT. CAPACITY

100LBS. Static Cap

MOUNTING RAIL

18 U, L Rack Angles
 #10-32 Tapped Holes
 EIA Spcing, 5/8X5/8X1/2
 19.00" Rackable

REAR SUB-PANEL

N/A

FRONT DOOR

N/A

COLOR

Black Textured
 Epoxy Powder-Coat

ACCESSORIES

N/A

CLASSIFICATION

19" EIA-310-D



PROPRIETARY AND CONFIDENTIAL
 THE INFORMATION CONTAINED IN THIS
 DRAWING IS THE SOLE PROPERTY OF
 SIGNATURE PRODUCTS, ANY
 REPRODUCTION IN PART OR AS A WHOLE
 WITHOUT THE WRITTEN PERMISSION OF
 SIGNATURE PRODUCTS IS PROHIBITED.

TITLE: Swing Out Wall Rack
 32.75" x 19.86" x 18.00"
 #10-32 Tapped Holes

SIZE	DWG. NO.	REV
A	SWR36S-FBK	-
SCALE: 1:2	WT: 27.3LBS	SHEET 1 OF 1