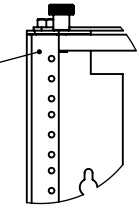


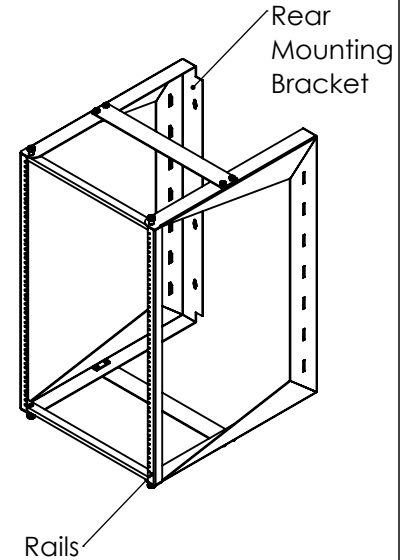
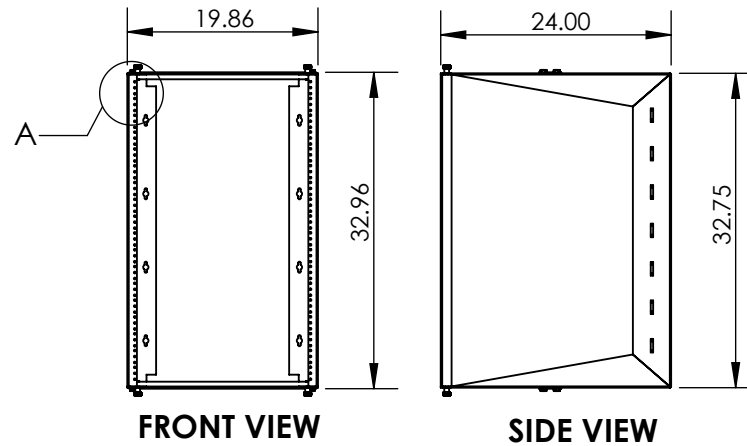
**Swing Out Wall Rack:
32.75X19.86X24.00**

MOUNTING RAIL: 18U

12-24 Tapped Rails, 18U
(1) Pair, 19" EIA-310-D Compliant
20PC 12-24 Hardware Included
Max. EQ Depth: 18.00"

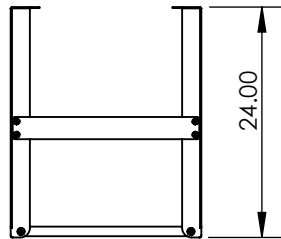


DETAIL A



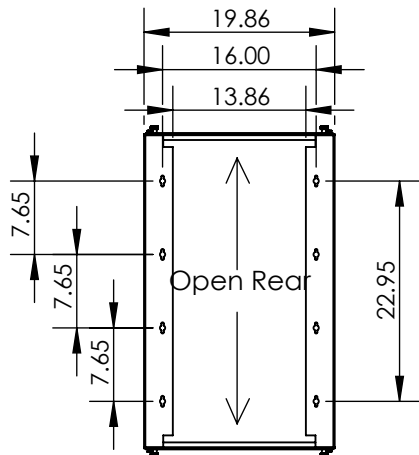
TOP VIEW

Open



REAR VIEW

OPEN SUB-PANEL
MOUNTING DIMENSION:
22.95X16.00
7.65X16.00



DIMENSIONS

Height: 32.75"
Width: 19.86"
Depth: 24.00"

MOUNTING RAIL

18 U, L Rack Angles
12-24 Tapped Holes
EIA Spcing, 5/8X5/8X1/2
19.000 " Rackable

FRONT DOOR

N/A

ACCESSORIES

N/A

WT. CAPACITY

100LBS. Static Cap

REAR SUB-PANEL

N/A

COLOR

Black Textured
Epoxy Powder-Coat

CLASSIFICATION

19" EIA-310-D
Compliant



PROPRIETARY AND CONFIDENTIAL
THE INFORMATION CONTAINED IN THIS
DRAWING IS THE SOLE PROPERTY OF
SIGNATURE PRODUCTS. ANY
REPRODUCTION IN PART OR AS A WHOLE
WITHOUT THE WRITTEN PERMISSION OF
SIGNATURE PRODUCTS IS PROHIBITED.

TITLE: Swing Out Wall Rack
32.75X19.86X24.00

SIZE A	DWG. NO. SWR36C24D-FBK	REV -
SCALE: 1:20		SHEET 1 OF 1