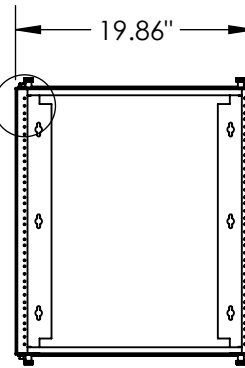
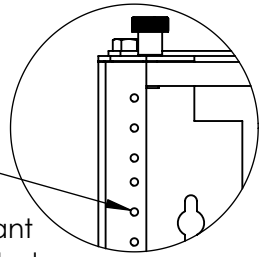


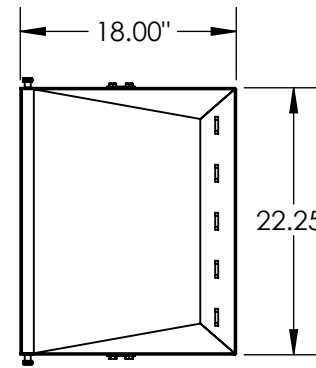
**Swing Out Wall Rack:
22.25" X 19.86" X 18.00"**

MOUNTING RAIL: 12U

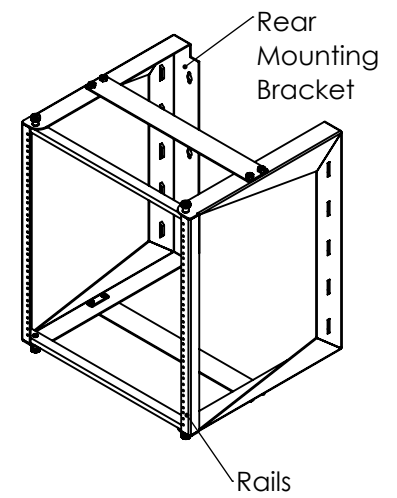
10-32 Tapped Rails, 12U
(1) Pair, 19" EIA-310-D Compliant
20PC #10-32 Hardware Included
Max. EQ Depth: 18.00"



FRONT VIEW

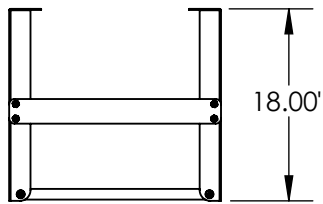


SIDE VIEW



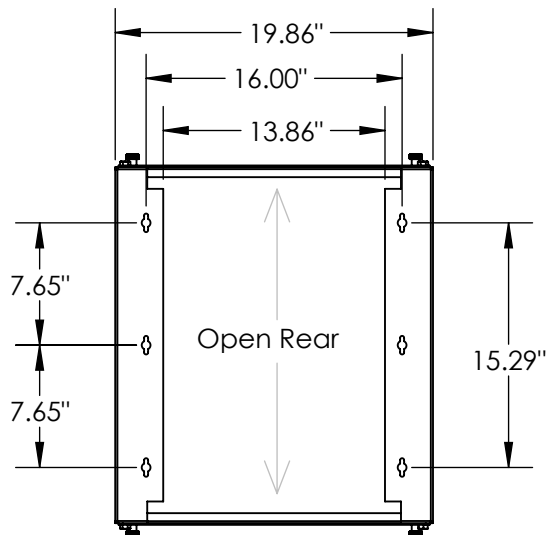
TOP VIEW

Open



REAR VIEW

OPEN SUB-PANEL
MOUNTING DIMENSION:
15.29" X 16.00"
7.65" X 16.00"



DIMENSIONS

Height: 22.25"
Width: 19.86"
Depth: 18.00"

WT. CAPACITY

100LBS. Static Cap

MOUNTING RAIL

12 U, L Rack Angles
#10-32 Tapped Holes
EIA Spcing, 5/8X5/8X1/2
19.00 " Rackable

REAR SUB-PANEL

N/A

FRONT DOOR

N/A

COLOR

Black Textured
Powder Coated

ACCESSORIES

N/A

CLASSIFICATION

19" EIA-310-D



PROPRIETARY AND CONFIDENTIAL
THE INFORMATION CONTAINED IN THIS
DRAWING IS THE SOLE PROPERTY OF
SIGNATURE PRODUCTS, ANY
REPRODUCTION IN PART OR AS A WHOLE
WITHOUT THE WRITTEN PERMISSION OF
SIGNATURE PRODUCTS IS PROHIBITED.

TITLE:		Swing Out Wall Rack 22.25" X 19.86" X 18.00" #10-32 Tapped Holes	
SIZE	DWG. NO.	REV	
A	SWR24S-FBK	-	
SCALE: 1:8	WT: 21.2 LBS	SHEET 1 OF 1	