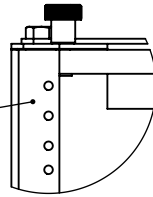


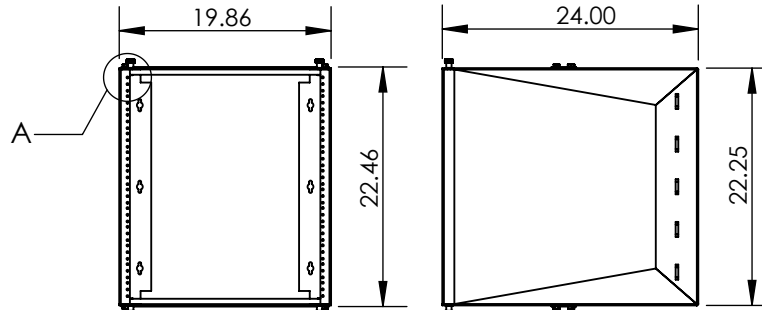
**Swing Out Wall Rack:  
22.25X19.86X24.00**

**MOUNTING RAIL: 12U**

12-24 Tapped Rails, 12U  
(1) Pair, 19" EIA-310-D Compliant  
20PC 12-24 Hardware Included  
Max. EQ Depth: 18.00"

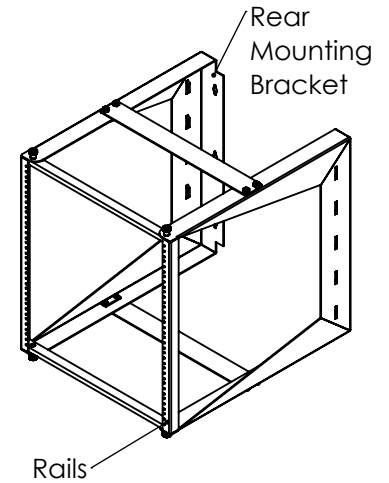


DETAIL A



FRONT VIEW

SIDE VIEW

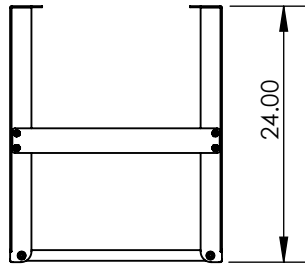


Rails

Rear Mounting Bracket

**TOP VIEW**

Open



24.00

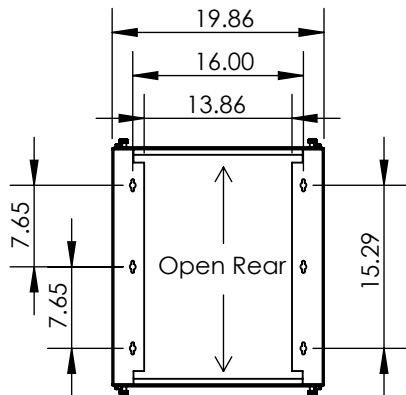
**REAR VIEW**

OPEN SUB-PANEL

MOUNTING DIMENSION:

15.29X16.00

7.65X16.00



**DIMENSIONS**

Height: 22.25"  
Width: 19.86"  
Depth: 24.00"

**MOUNTING RAIL**

12 U, L Rack Angles  
12-24 Tapped Holes  
EIA Spcing, 5/8X5/8X1/2  
19.000 " Rackable

**FRONT DOOR**

N/A

**ACCESSORIES**

N/A

**WT. CAPACITY**

100LBS. Static Cap

**REAR SUB-PANEL**

N/A

**COLOR**

Black Textured  
Epoxy Powder  
Coat

**CLASSIFICATION**

19" EIA-310-D  
Compliant



TITLE: Swing Out Wall Rack  
22.25X19.86X24.00

**PROPRIETARY AND CONFIDENTIAL**  
THE INFORMATION CONTAINED IN THIS  
DRAWING IS THE SOLE PROPERTY OF  
SIGNATURE PRODUCTS. ANY  
REPRODUCTION IN PART OR AS A WHOLE  
WITHOUT THE WRITTEN PERMISSION OF  
SIGNATURE PRODUCTS IS PROHIBITED.

SIZE <b>A</b>	DWG. NO. SWR24C24D-FBK	REV -
SCALE: 1:18		SHEET 1 OF 1