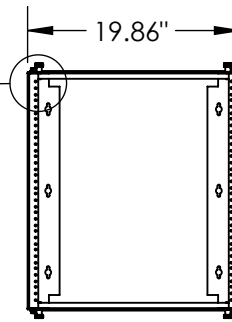
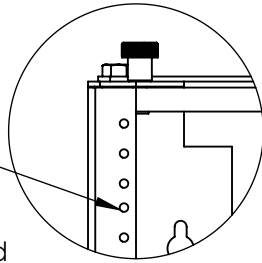


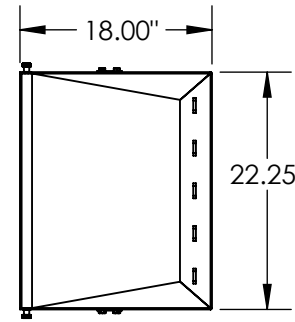
Swing Out Wall Rack:
22.25" X 19.86" X 18.00"

MOUNTING RAIL: 12U

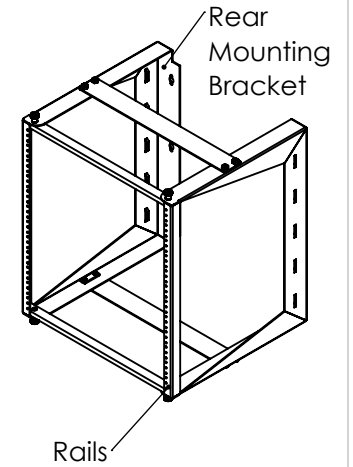
#12-24 Tapped Rails
 (1) Pair, 19" EIA-310-D Compliant
 20 PCS #12-24 Hardware Included
 Max. EQ Depth: 18.00"



FRONT VIEW

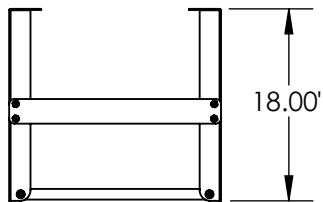


SIDE VIEW



TOP VIEW

Open



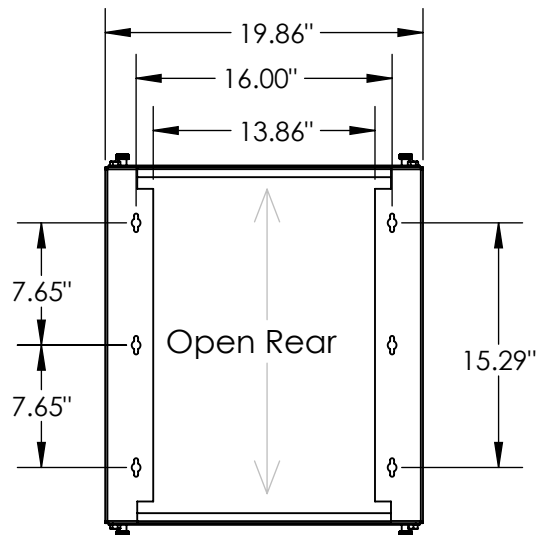
REAR VIEW

OPEN SUB-PANEL

MOUNTING DIMENSION:

15.29" X 16.00"

7.65" X 16.00"



DIMENSIONS

Height: 22.25"

Width: 19.86"

Depth: 18.00"

MOUNTING RAIL

12 U, L Rack Angles

#12-24 Tapped Holes

EIA Spcing, 5/8X5/8X1/2

19.00 " Rackable

FRONT DOOR

N/A

ACCESSORIES

N/A

WT. CAPACITY

100LBS. Static Cap

REAR SUB-PANEL

N/A

COLOR

Black Textured
 Powder Coated

CLASSIFICATION

19" EIA-310-D

SPA
 Signature PRODUCTS LLC.
 Product of America

PROPRIETARY AND CONFIDENTIAL
 THE INFORMATION CONTAINED IN THIS
 DRAWING IS THE SOLE PROPERTY OF
 SIGNATURE PRODUCTS, ANY
 REPRODUCTION IN PART OR AS A WHOLE
 WITHOUT THE WRITTEN PERMISSION OF
 SIGNATURE PRODUCTS IS PROHIBITED.

TITLE: Swing Out Wall Rack 22.25 X 19.86 X 18.00 #12-24 Tapped Holes		
SIZE A	DWG. NO. SWR24C-FBK	REV -
SCALE: 1:8	WT: 21 LBS	SHEET 1 OF 1