

**SPA SERVER RACK: 88.00 X 24.00 X 48.00**

**PART NO: S22HDF88ES-B**

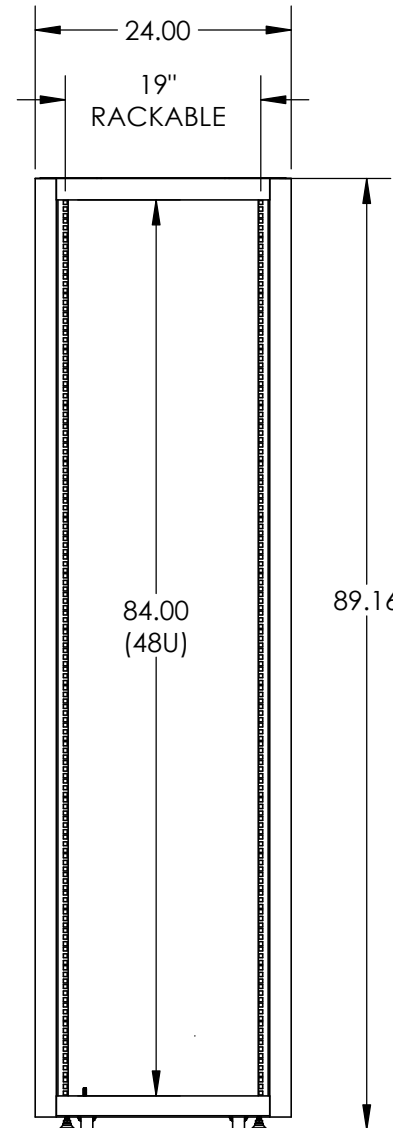
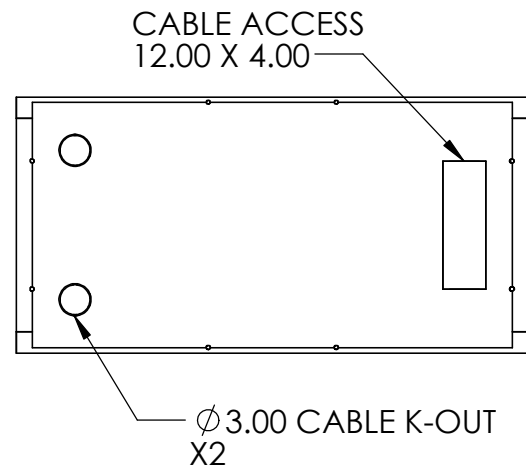
**MOUNTING RAILS: 48U**

M6 CAGE NUT RAIL, 48U  
(2) PAIR, 19" EIA-310-D COMPLIANT  
ADJUSTABLE FRONT-BACK

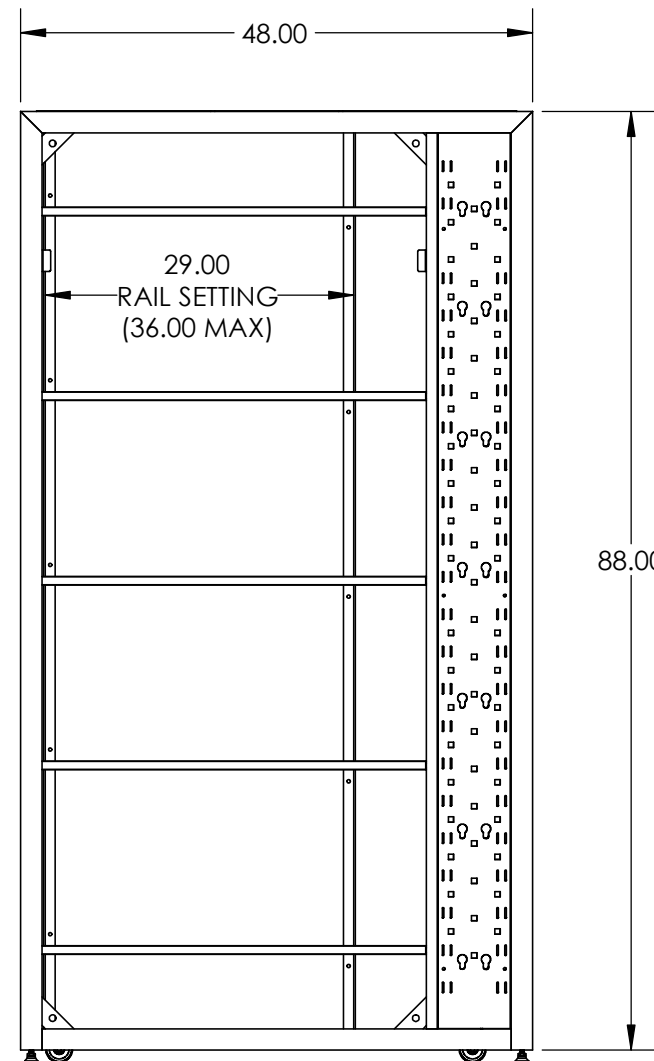


**TOP VIEW**

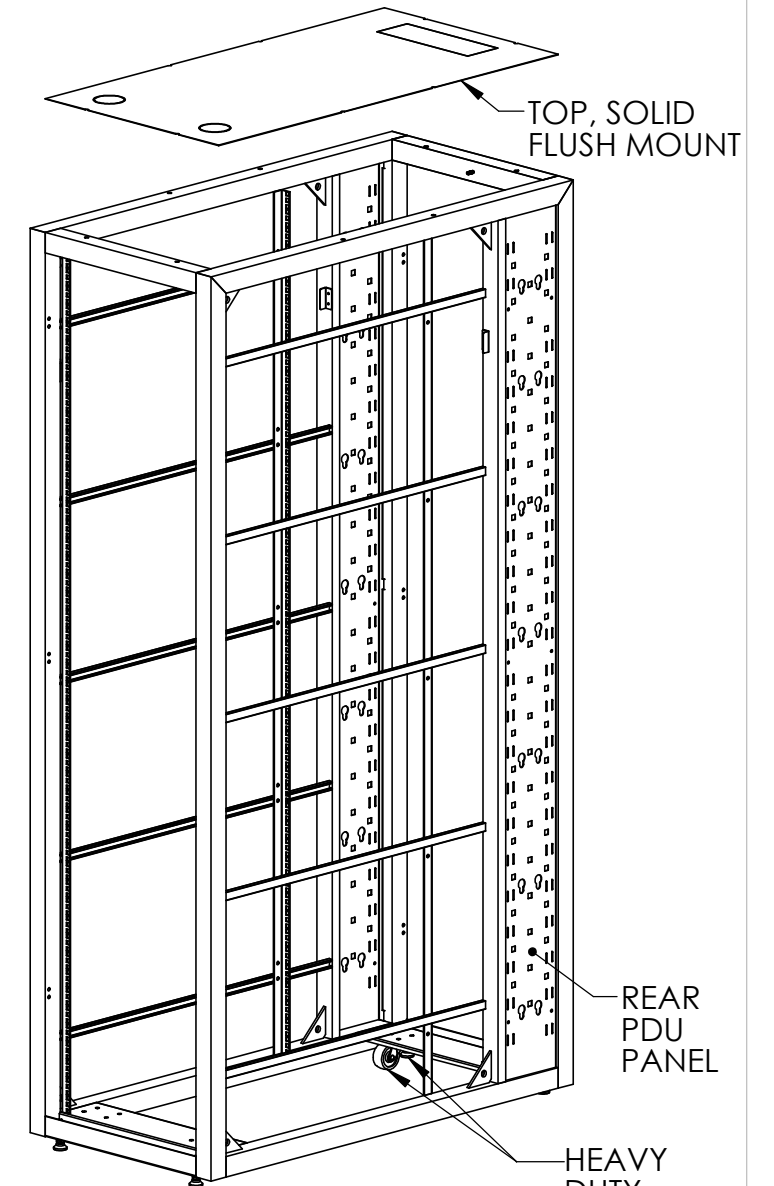
SOLID, FLUSH MOUNT  
W/ CABLE KNOCK-OUTS



**FRONT VIEW**



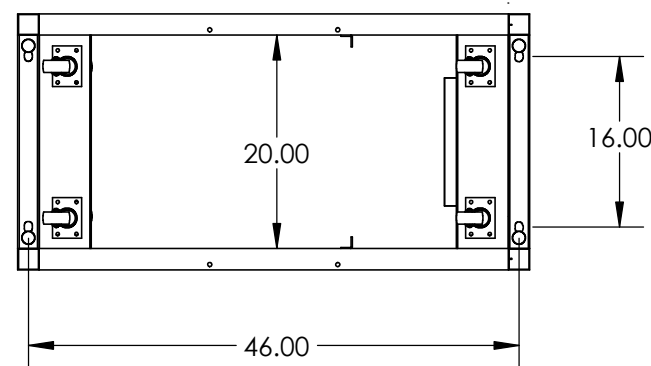
**SIDE VIEW**



**ISOMETRIC VIEW**

**BOTTOM VIEW**

FLOOR MOUNTING DIMENSIONS: 16.00 X 46.00



**DIMENSIONS**

2 X 2 TUBULAR STEEL  
HEIGHT: 88.00  
WIDTH: 24.00  
DEPTH: 48.00

**TOP PANEL**

SOLID, FLUSH MOUNT  
3.00" DIA CABLE K-OUTS  
12.00" X 4.00" CABLE ACCESS

**MOUNTING RAIL**

48U, L-RACK ANGLES  
CAGE NUT RAIL, M6  
EIA SPACING, 5/8 X 5/8 X 1/2  
19" RACKABLE

**CLASSIFICATION**

19" EIA-310-D COMPLIANT

**COLOR**

BLACK TEXTURE

**ACCESSORIES**

(30) PCS M6 HARDWARE

**SPA**  
Signature PRODUCTS LLC.  
Product of America

**PROPRIETARY AND CONFIDENTIAL**  
THE INFORMATION CONTAINED IN THIS  
DRAWING IS THE SOLE PROPERTY OF  
SIGNATURE PRODUCTS. ANY  
REPRODUCTION IN PART OR AS A WHOLE  
WITHOUT THE WRITTEN PERMISSION OF  
SIGNATURE PRODUCTS IS PROHIBITED.

TITLE: SERIES 22 HD FRAME & TOP 88.00H X 24.00W X 48.00D W/CAGE NUT RAILS		
SIZE	DWG. NO.	REV
<b>B</b>	<b>S22HDF88ES-B</b>	-
SCALE: 1:18		SHEET 1 OF 1