

**SPA SERVER RACK: 84.00 X 24.00 X 48.00**

**PART NO: S22HDF84ES-B**

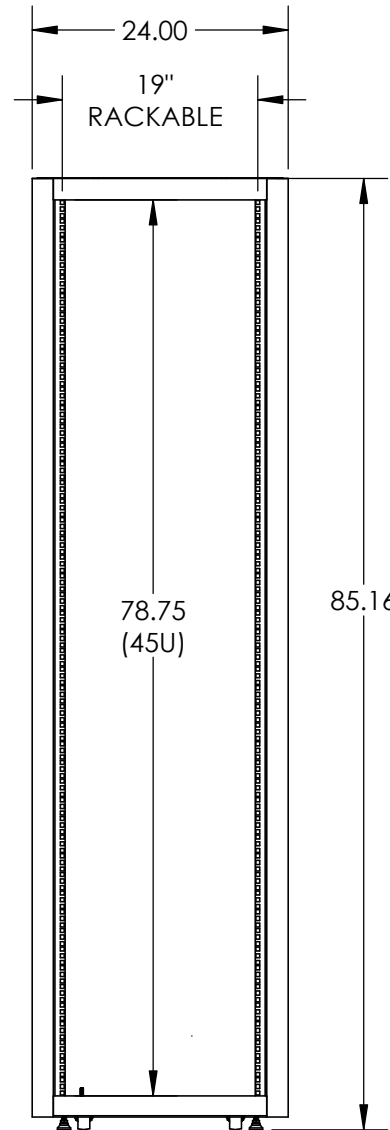
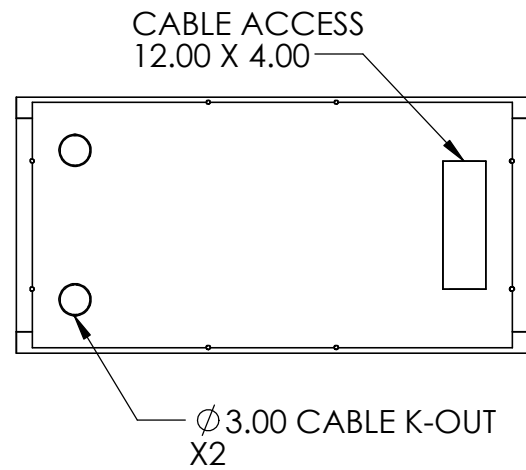
**MOUNTING RAILS: 45U**

M6 CAGE NUT RAIL, 45U  
(2) PAIR, 19" EIA-310-D COMPLIANT  
ADJUSTABLE FRONT-BACK

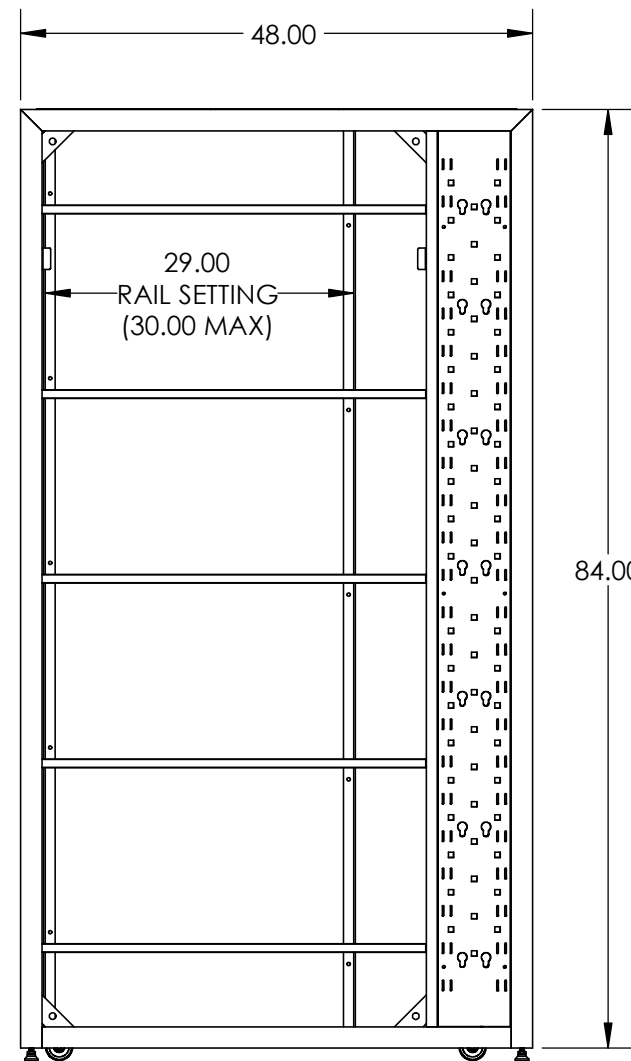


**TOP VIEW**

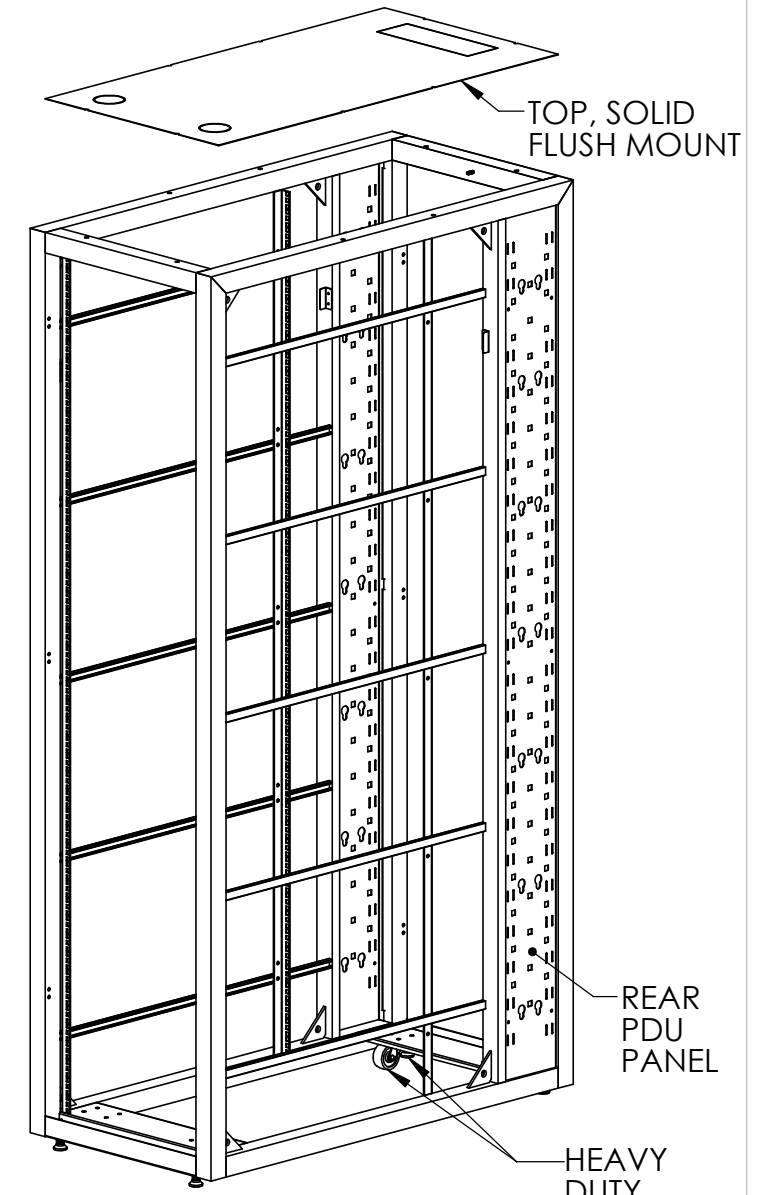
SOLID, FLUSH MOUNT  
W/ CABLE KNOCK-OUTS



FRONT VIEW



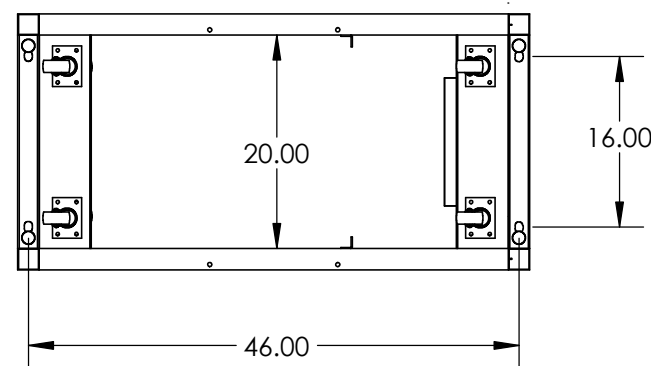
SIDE VIEW



ISOMETRIC VIEW

**BOTTOM VIEW**

FLOOR MOUNTING DIMENSIONS: 16.00 X 46.00



**DIMENSIONS**

2 X 2 TUBULAR STEEL  
HEIGHT: 84.00  
WIDTH: 24.00  
DEPTH: 48.00

**TOP PANEL**

SOLID, FLUSH MOUNT  
3.00" DIA CABLE K-OUTS  
12.00" X 4.00" CABLE ACCESS

**MOUNTING RAIL**

45U, L-RACK ANGLES  
CAGE NUT RAIL, M6  
EIA SPACING, 5/8 X 5/8 X 1/2  
19" RACKABLE

**CLASSIFICATION**

19" EIA-310-D COMPLIANT

**COLOR**

BLACK TEXTURE

**ACCESSORIES**

(30) PCS M6 HARDWARE

<p>SP Signature PRODUCTS LLC. Product of America</p> <p><small>PROPRIETARY AND CONFIDENTIAL THE INFORMATION CONTAINED IN THIS DRAWING IS THE SOLE PROPERTY OF SIGNATURE PRODUCTS. ANY REPRODUCTION IN PART OR AS A WHOLE WITHOUT THE WRITTEN PERMISSION OF SIGNATURE PRODUCTS IS PROHIBITED.</small></p>	TITLE: SERIES 22 HD FRAME & TOP 84.00H X 24.00W X 48.00D W/CAGE NUT RAILS		
	SIZE <b>B</b>	DWG. NO. S22HDF84ES-B	REV -
SCALE: 1:18		SHEET 1 OF 1	