

SPA SERVER RACK: 84.00 X 24.00 X 42.00

PART NO: S22HDF84EQ-B

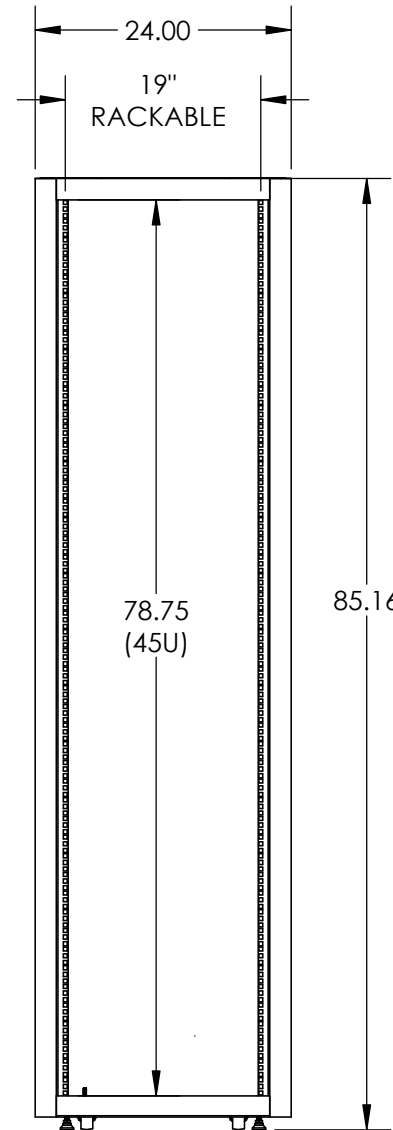
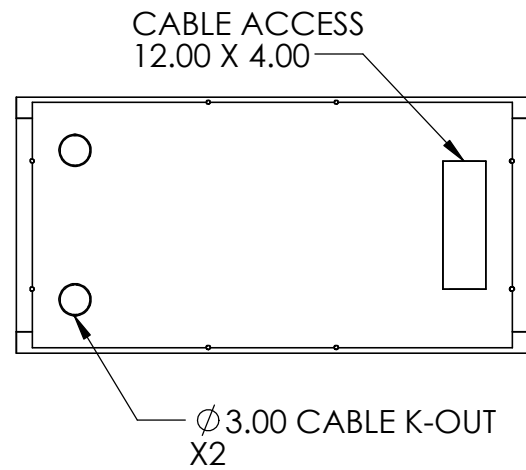
MOUNTING RAILS: 45U

M6 CAGE NUT RAIL, 45U
(2) PAIR, 19" EIA-310-D COMPLIANT
ADJUSTABLE FRONT-BACK

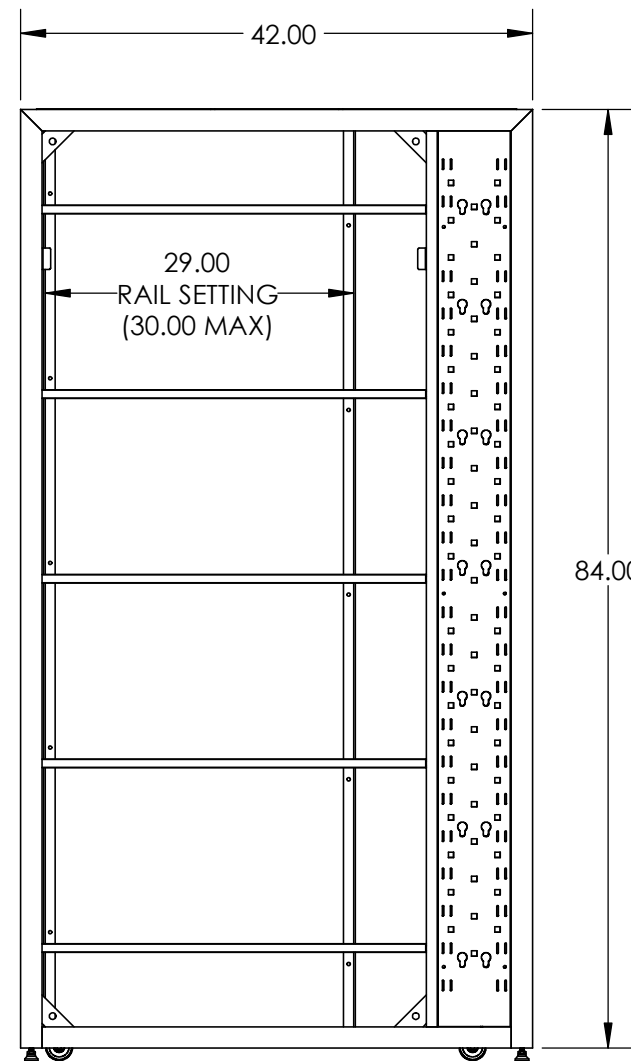


TOP VIEW

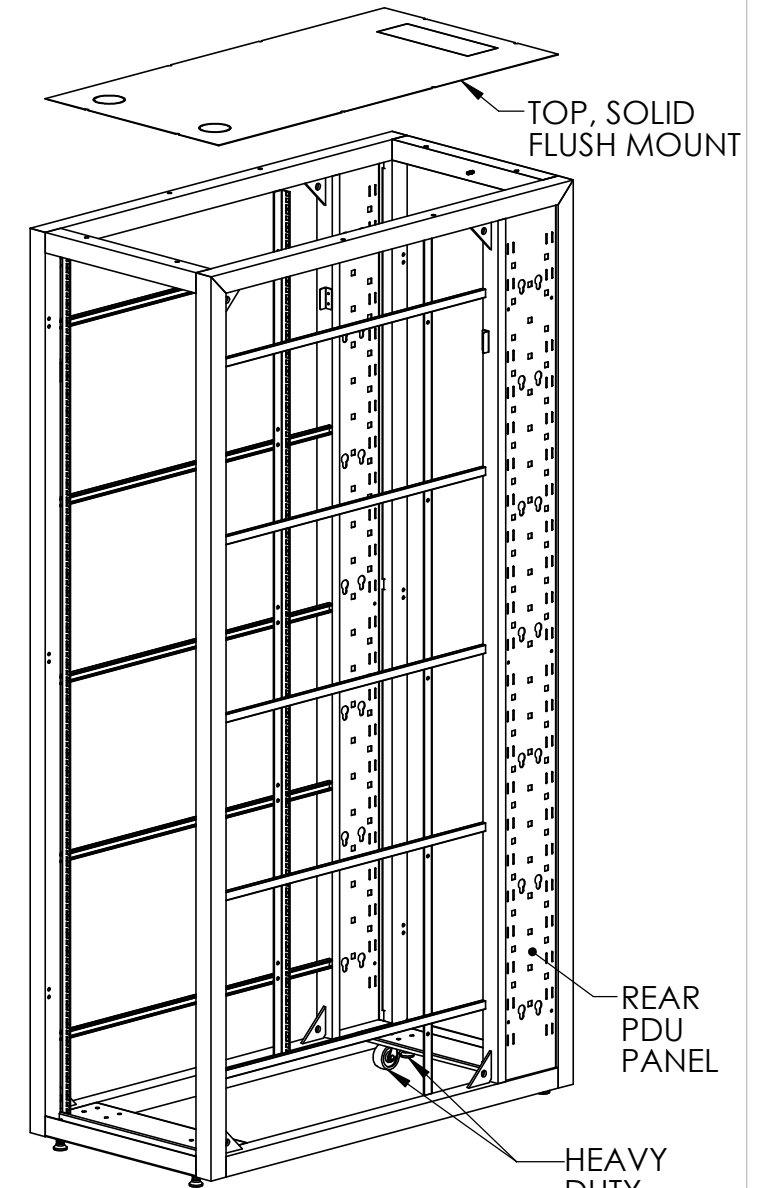
SOLID, FLUSH MOUNT
W/ CABLE KNOCK-OUTS



FRONT VIEW



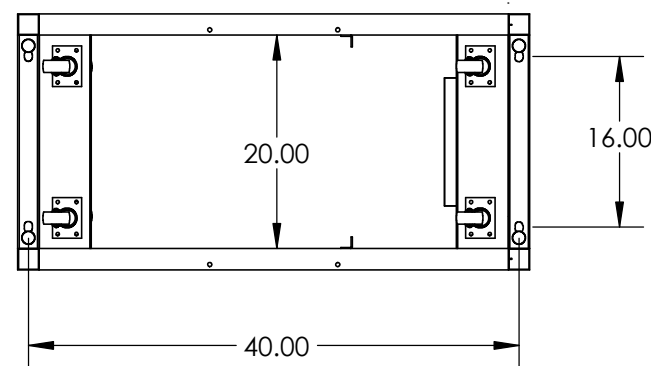
SIDE VIEW



ISOMETRIC VIEW

BOTTOM VIEW

FLOOR MOUNTING DIMENSIONS: 16.00 X 40.00



DIMENSIONS

2 X 2 TUBULAR STEEL
HEIGHT: 84.00
WIDTH: 24.00
DEPTH: 42.00

TOP PANEL

SOLID, FLUSH MOUNT
3.00" DIA CABLE K-OUTS
12.00" X 4.00" CABLE ACCESS

MOUNTING RAIL

45U, L-RACK ANGLES
CAGE NUT RAIL, M6
EIA SPACING, 5/8 X 5/8 X 1/2
19" RACKABLE

CLASSIFICATION

19" EIA-310-D COMPLIANT

COLOR

BLACK TEXTURE

ACCESSORIES

(30) PCS M6 HARDWARE

<p>SPA Signature PRODUCTS LLC. Product of America</p> <p><small>PROPRIETARY AND CONFIDENTIAL THE INFORMATION CONTAINED IN THIS DRAWING IS THE SOLE PROPERTY OF SIGNATURE PRODUCTS. ANY REPRODUCTION IN PART OR AS A WHOLE WITHOUT THE WRITTEN PERMISSION OF SIGNATURE PRODUCTS IS PROHIBITED.</small></p>	TITLE: SERIES 22 HD FRAME & TOP 84.00H X 24.00W X 42.00D W/CAGE NUT RAILS		
	SIZE B	DWG. NO. S22HDF84EQ-B	REV -
SCALE: 1:18		SHEET 1 OF 1	