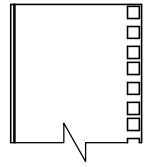


SPA SERVER RACK: 88.00 X 24.00 X 48.00
PART NO: S22HD88ESB1SBAS-B

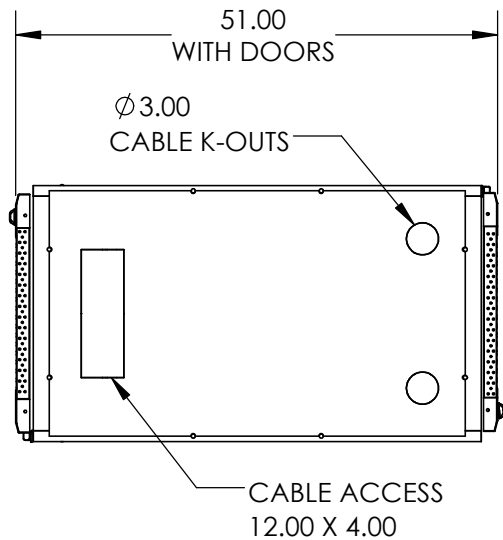
MOUNTING RAILS: 48U

M6 CAGE NUT RAIL, 48U
 (2) PAIR, 19" EIA-310-D COMPLIANT
 RMU MARKING BOTTOM TO TOP
 ADJUSTABLE FRONT-BACK
 MAX EQ. DEPTH: 48"



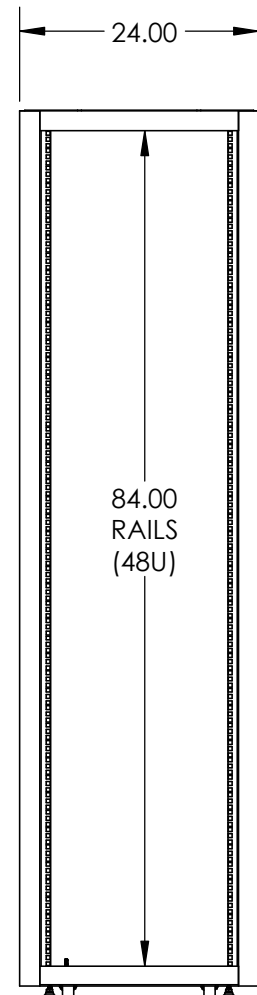
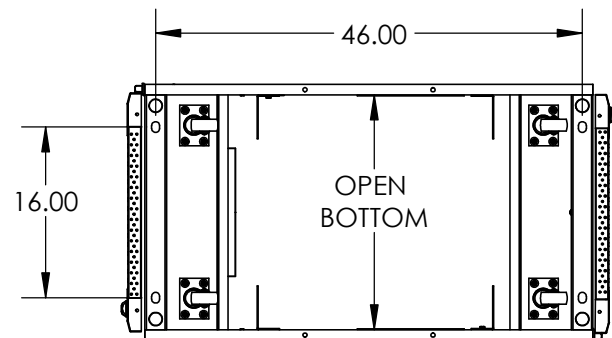
TOP VIEW

SOLID, FLUSH MOUNT
 W/ CABLE KNOCK-OUTS

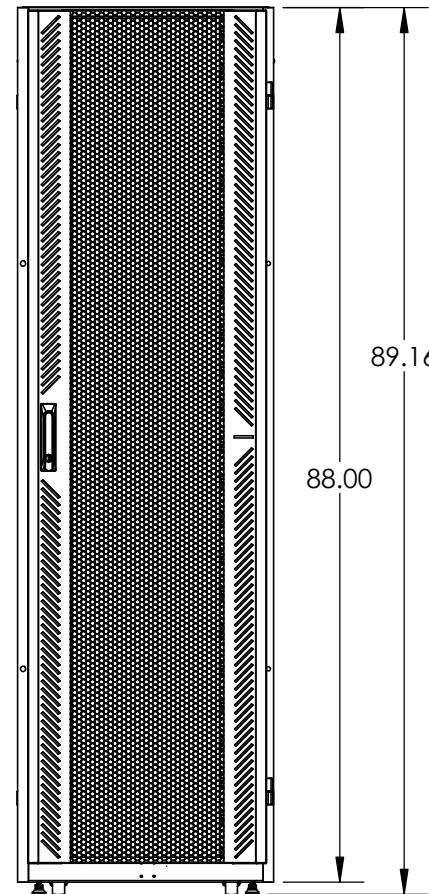


BOTTOM VIEW

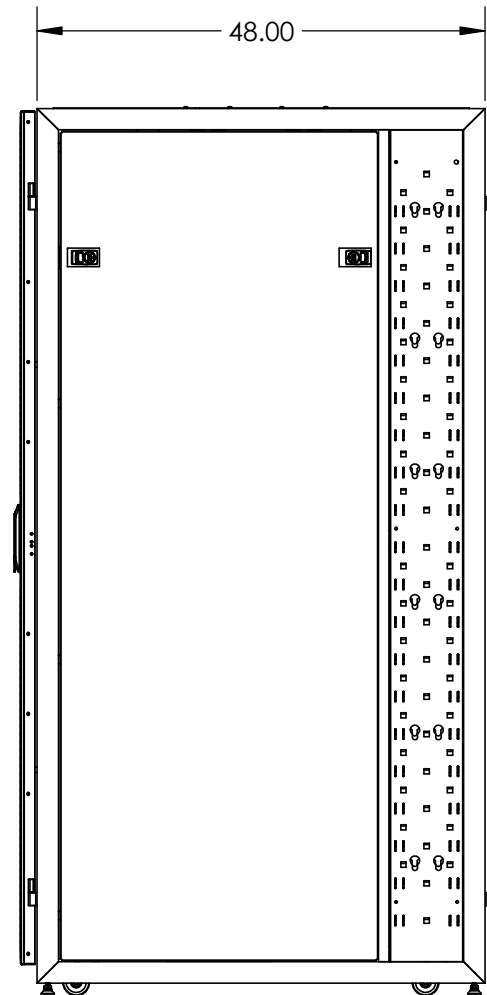
FLOOR MOUNTING DIMENSIONS: 16.00 X 46.00



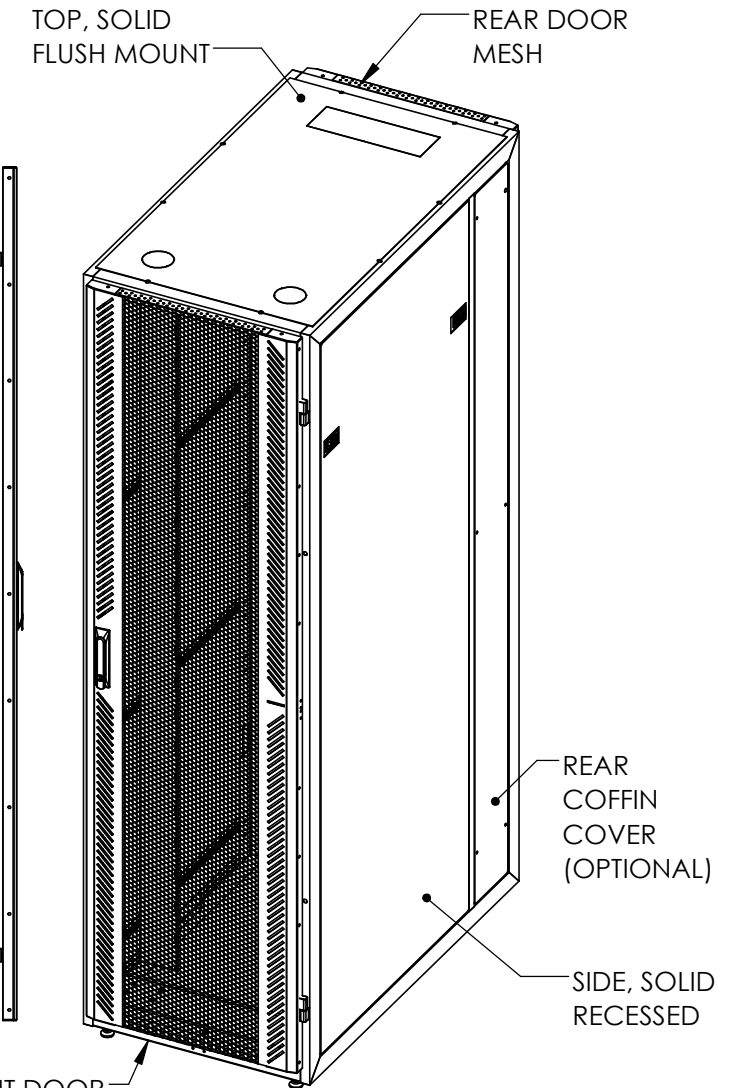
FRONT VIEW
(W/OUT DOORS)



FRONT VIEW



SIDE VIEW



ISOMETRIC VIEW

DIMENSIONS

2 X 2 TUBULAR STEEL
 HEIGHT: 88.00
 WIDTH: 24.00
 DEPTH: 48.00

MOUNTING RAIL

48U, L-RACK ANGLES
 CAGE NUT, M6
 EIA SPACING, 5/8 X 5/8 X 1/2
 19" RACKABLE
 ADJUSTABLE, MAX: 36.00" DEPTH

FRONT DOOR

PREMIUM EK333 LOCK
 REVERSIBLE, 180° SWING
 DIMS: 86.00H X 21.94W X 1.31D

ACCESSORIES

- HEAVY DUTY CASTERS
- HEAVY DUTY LEVELING FEET
- 30 PCS HARDWARE KIT

TOP PANEL

SOLID, FLUSH MOUNT
 3.00" CABLE K-OUT
 12.00" X 4.00" CABLE ACCESS

SIDE PANEL

SOLID, RECESSED,
 LOCKING SLAM LATCH
 DIMS: 83.82H X 35.84W X 0.88D

REAR DOOR

PREMIUM EK333 LOCK
 REVERSIBLE, 180° SWING
 DIMS: 86.00H X 21.94W X 1.31D

CLASSIFICATION

19" EIA-310-D COMPLIANT

COLOR

BLACK TEXTURE

WT CAPACITY

3500 LBS STATIC CAP.
 3000 LBS ROLLING CAP.



TITLE: SERIES 22HD SERVER RACK 88.00H X 24.00W X 48.00D W/CAGE NUT RAILS		
SIZE	DWG. NO.	REV
B	S22HD88ESB1SBAS-B	-
SCALE: 1:18		SHEET 1 OF 1