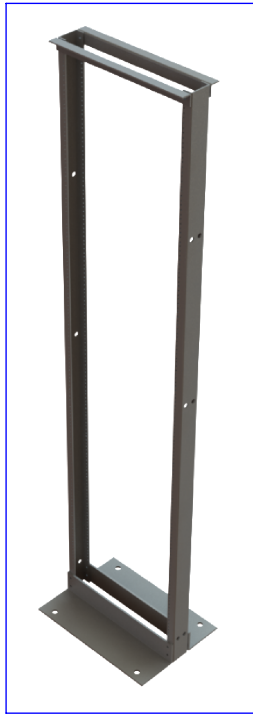




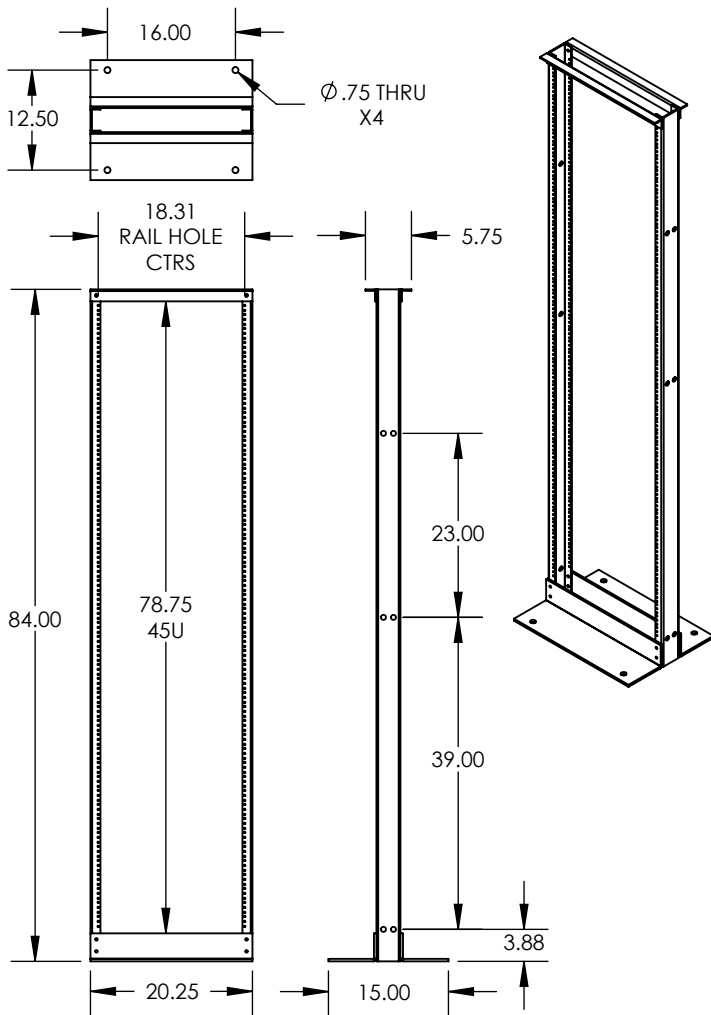
## TWO POST RELAY RACKS

### FEATURES:

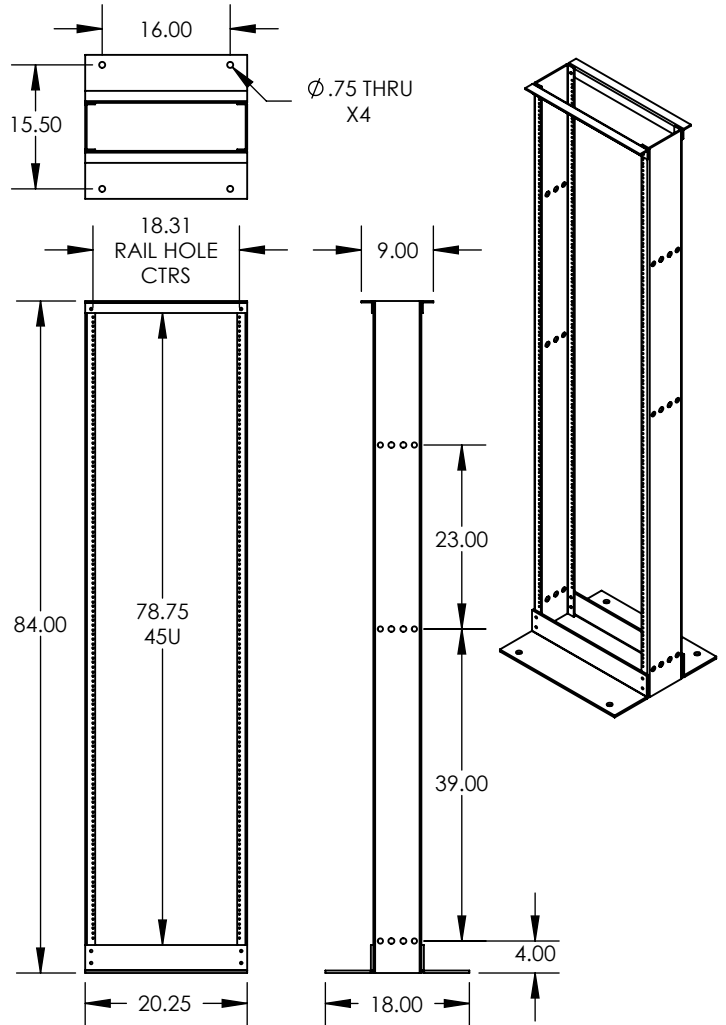
- CONSTRUCTED OF HIGH STRENGTH ALUMINUM EXTRUSION
- RATED FOR 1000 LBS STATIC LOAD WHEN EVENLY DISTRIBUTED
- CONFORMS TO EIA-310-D STANDARD
- RAIL HOLES TAPPED 12-24 (HARDWARE KIT INCLUDED)
- RMU RAIL MARKINGS NUMBERED UP
- SHIPS UNASSEMBLED
- HEIGHT: 84"/45U \*OTHER SIZES AVAILABLE\*
- RAIL CHANNEL DEPTH: 3" & 6"



Part Number	Description	RMU	Rail Type	Color	Wt (LBS)
SR2PT384-FBK	Two Post, 3" Rail Channel	45U	12-24	Black	35
SR2PT684-FBK	Two Post, 6" Rail Channel	45U	12-24	Black	40



SR2PT384-FBK



SR2PT684-FBK