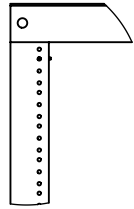


QUAD (4-POST) RACK: 84"H X 20.25"W X 24-32" D

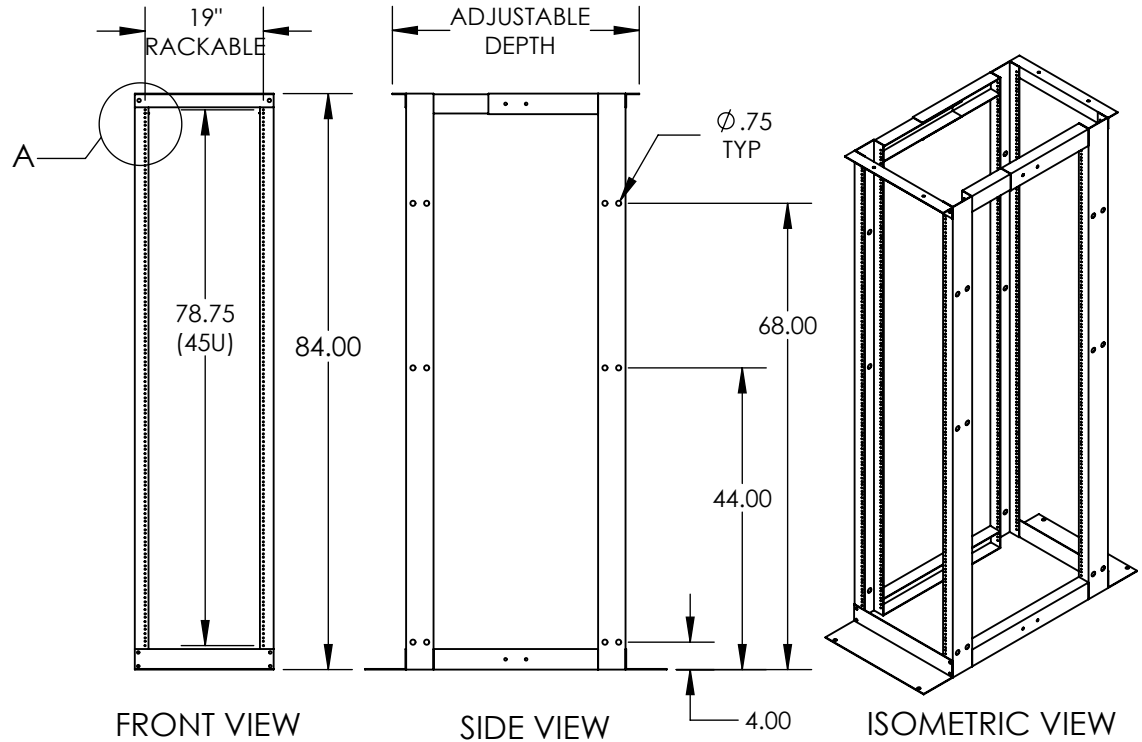
PART NO: SRQPT3842432-FBK

MOUNTING RAILS: 45U

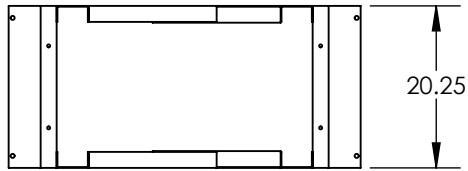
45RMU, C-CHANNEL UPRIGHTS
 12-24 TAPPED HOLES
 19" RACKABLE W/EIA SPACING
 RMU MARKINGS TOP TO BOTTOM



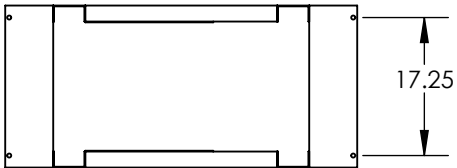
DETAIL A



TOP VIEW



BOTTOM VIEW



DIMENSIONS:

HEIGHT: 84.00"
 WIDTH: 20.25"
 DEPTH: 24.00" TO 32.00"
 OVERALL: 48.00"

MOUNTING RAILS:

45 RMU, C-CHANNEL
 #12-24 TAPPED HOLES
 EIA SPACING, 5/8 X 5/8 X 1/2
 19" RACKABLE

WT CAPACITY:

2,000 LBS.

CLASSIFICATION:

19" EIA-310-D COMPLIANT



PROPRIETARY AND CONFIDENTIAL
 THE INFORMATION CONTAINED IN THIS
 DRAWING IS THE SOLE PROPERTY OF
 SIGNATURE PRODUCTS. ANY
 REPRODUCTION IN PART OR AS A WHOLE
 WITHOUT THE WRITTEN PERMISSION OF
 SIGNATURE PRODUCTS IS PROHIBITED.
 DIMENSIONS ARE IN INCHES

TITLE:
 QUAD (4-POST) RACK
 84.00"H X 20.25"W X
 24.00" TO 32.00" D
 W/ TAPPED HOLES

SIZE A	DWG. NO. SRQPT3842432-FBK	REV -
------------------	-------------------------------------	-----------------