

SR2PT384-FBK

MATERIAL

6061-T6 ALUMINUM

CLASSIFICATION

19" EIA-310-D COMPLIANT

WT CAPACITY

1000 LBS

MOUNTING RAIL

45 RMU, C-CHANNEL UPRIGHTS

#12-24 TAPPED HOLES

EIA SPACING, 5/8X5/8X1/2

19.00" RACKABLE

DIMENSIONS

ALUMINUM UPRIGHTS

HEIGHT: 84.00"

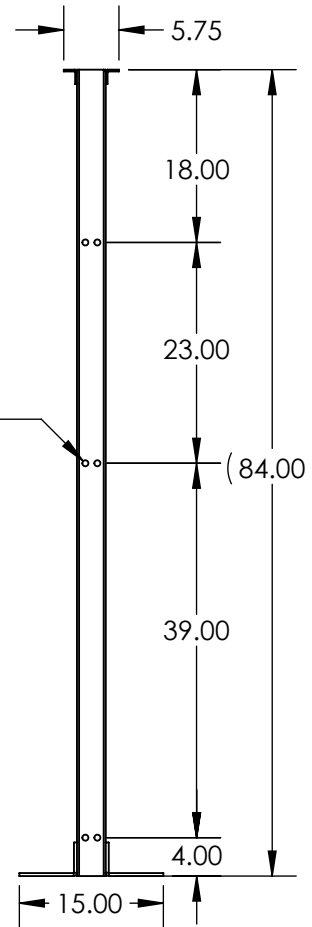
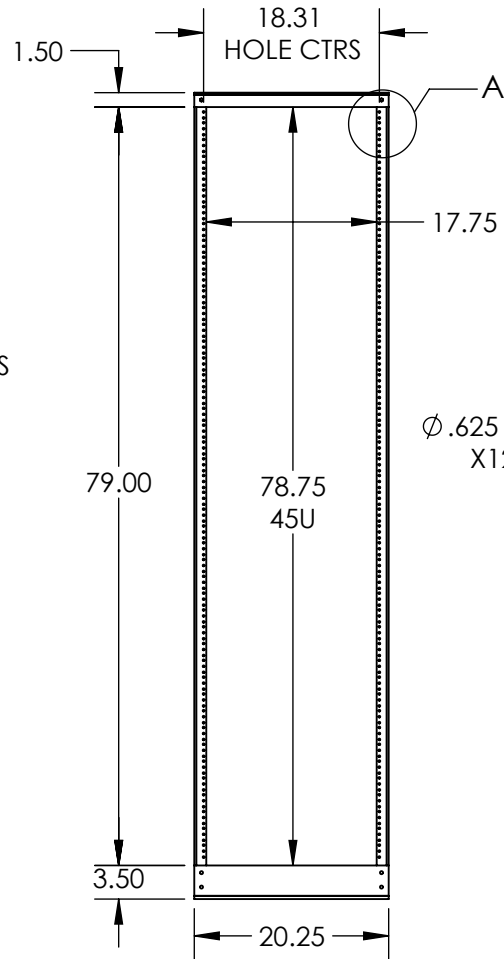
WIDTH: 20.25"

DEPTH: 3.00"

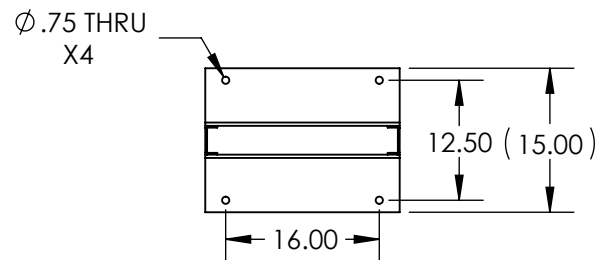
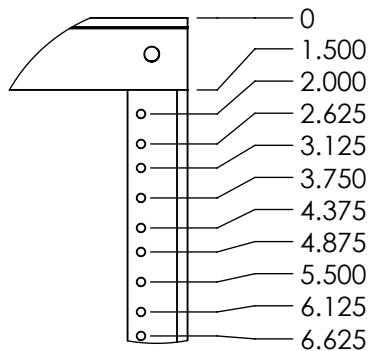
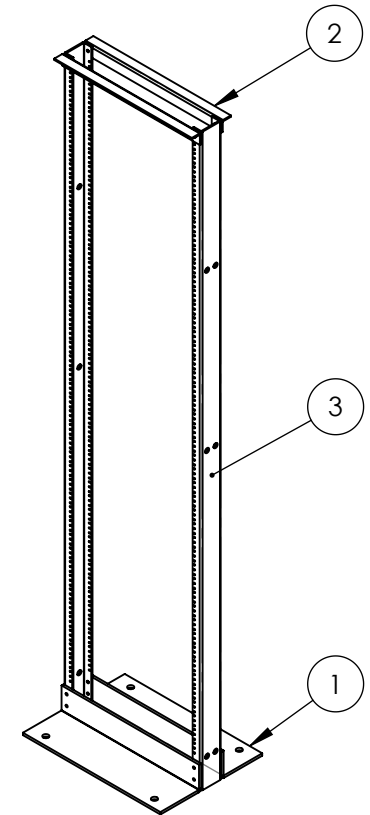
FOOTPRINT: 15.00"

COLOR

POWDER COATED BLACK



Ø .625 THRU X12



DETAIL A
SCALE 1 : 4

ITEM NO.	DESCRIPTION	QTY.
1	.250 ALUM BASE ANGLE	2
2	.125 ALUM TOP ANGLE	2
3	.188 ALUM VERTICAL RACK RAIL	2
4	#12-24 X 5/8" SCREW	40



TITLE:
2 POST RELAY RACK, 84" HT
3" CHANNEL, #12-24 TAPPED

PROPRIETARY AND CONFIDENTIAL
THE INFORMATION CONTAINED IN THIS
DRAWING IS THE SOLE PROPERTY OF
SIGNATURE PRODUCTS. ANY
REPRODUCTION IN PART OR AS A WHOLE
WITHOUT THE WRITTEN PERMISSION OF
SIGNATURE PRODUCTS IS PROHIBITED.

SIZE	DWG. NO.	REV
A	SR2PT384-FBK	-

SCALE: 1:20 WT: 35 LBS. SHEET 1 OF 1