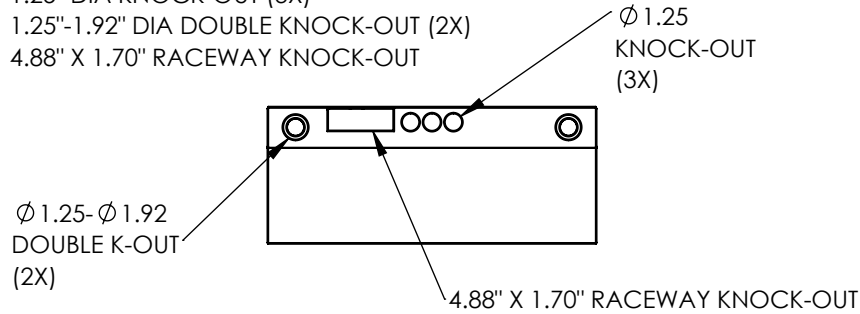


WALL MOUNT ENCLOSURE: 32.00" X 24.00" X 10.00"
 PART NO.: SWMLP3210-BK

TOP VIEW

SOLID

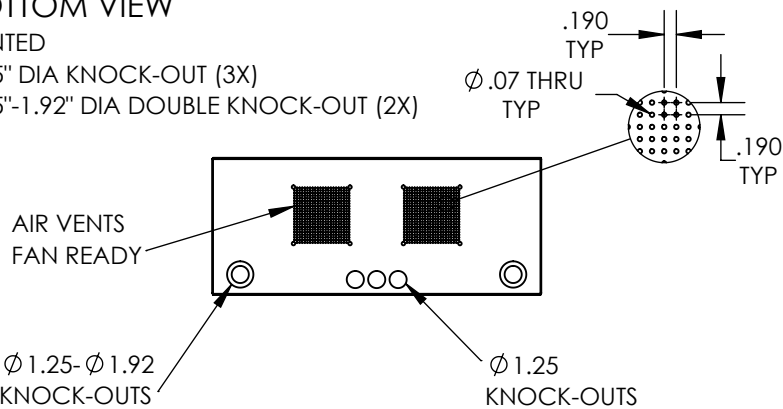
- 1.25" DIA KNOCK-OUT (3X)
- 1.25"-1.92" DIA DOUBLE KNOCK-OUT (2X)
- 4.88" X 1.70" RACEWAY KNOCK-OUT



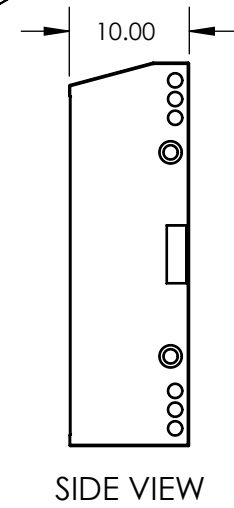
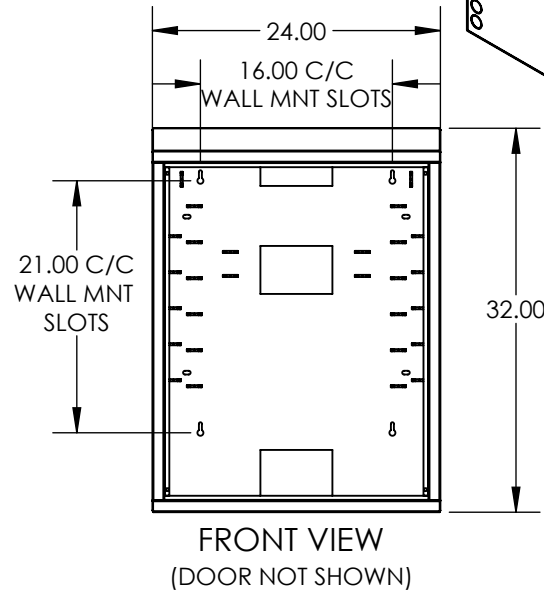
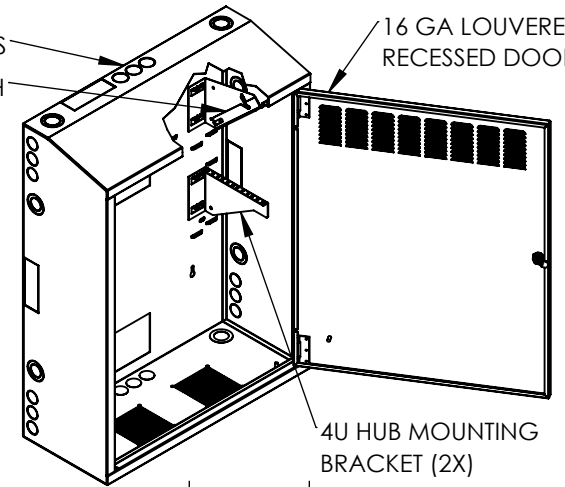
BOTTOM VIEW

VENTED

- 1.25" DIA KNOCK-OUT (3X)
- 1.25"-1.92" DIA DOUBLE KNOCK-OUT (2X)



- 16 GA BOX W/KNOCK-OUTS
- ANGLED PATCH PANEL RAIL (2X)
- 16 GA LOUVERED RECESSED DOOR
- 4U HUB MOUNTING BRACKET (2X)



SWMLP3210-BK HUB & PATCHING ENCLOSURE

INCLUDES:

- (1) PAIR ANGLED PATCH PANEL RAILS, 19" EIA 12-24 TAPPED
- (1) PAIR 4U HUB MOUNTING BRACKET, EIA 12-24 TAPPED
- DOOR LOCK
- GROUND STUDS ON DOOR AND CABINET BODY
- (20) PCS #12-24 HARDWARE

DIMENSIONS

HEIGHT: 32.00"
 WIDTH: 24.00"
 DEPTH: 10.00"

DOOR

LOUVERED RECESSED AND REMOVABLE
 DIE CAST ZINC CAM LOCK
 DIMS: 28.00"H X 21.84"W X 0.63"D



PROPRIETARY AND CONFIDENTIAL
 THE INFORMATION CONTAINED IN THIS DRAWING IS THE SOLE PROPERTY OF SIGNATURE PRODUCTS, ANY REPRODUCTION IN PART OR AS A WHOLE WITHOUT THE WRITTEN PERMISSION OF SIGNATURE PRODUCTS IS PROHIBITED.

TITLE: **LOW PROFILE ENCLOSURE**
 32.00" X 24.00" X 10.00"

SIZE	DWG. NO.	REV
A	SWMLP3210-BK	-
SCALE: 1:14	WT: 47 LBS	SHEET 1 OF 1