

WALL MOUNT ENCLOSURE: 24.00" X 24.00" X 10.00"
PART NO.: SWMLP2410-BK

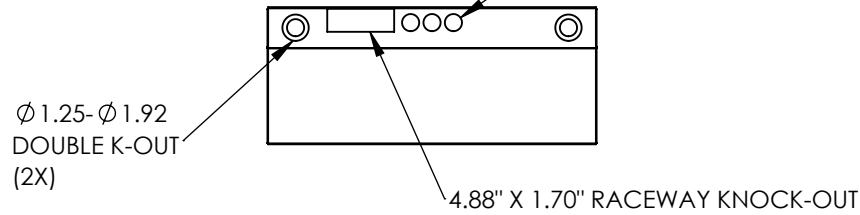
TOP VIEW

SOLID

1.25" DIA KNOCK-OUT (3X)

1.25"-1.92" DIA DOUBLE KNOCK-OUT (2X)

4.88" X 1.70" RACEWAY KNOCK-OUT



BOTTOM VIEW

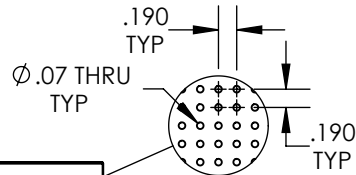
VENTED

1.25" DIA KNOCK-OUT (3X)

1.25"-1.92" DIA DOUBLE KNOCK-OUT (2X)

AIR VENTS
FAN READY

Ø 1.25-Ø 1.92
KNOCK-OUTS

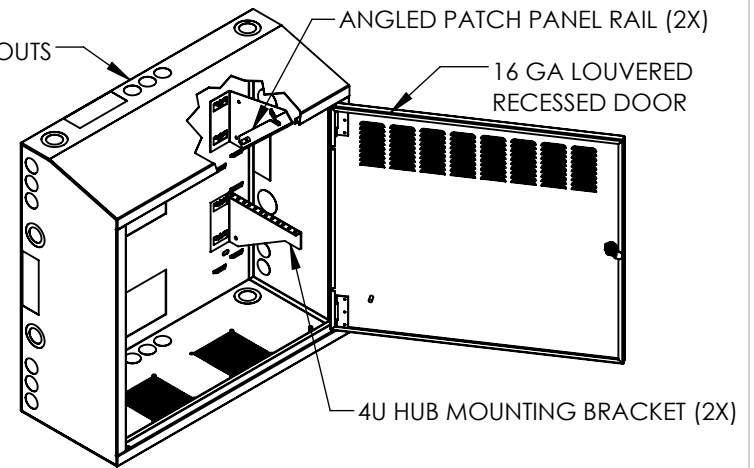


Ø 1.25
KNOCK-OUTS

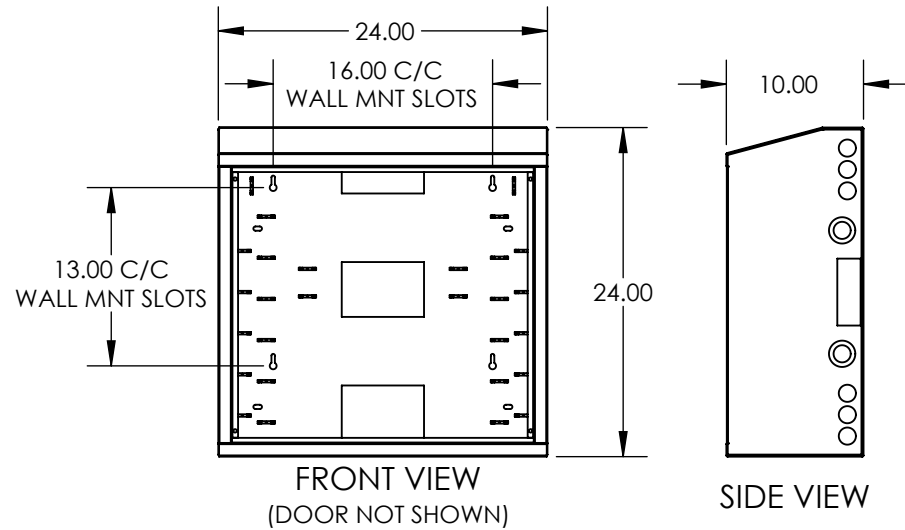
16 GA BOX
W/KNOCK-OUTS

ANGLED PATCH PANEL RAIL (2X)

16 GA LOUVERED
RECESSED
DOOR



4U HUB MOUNTING BRACKET (2X)



FRONT VIEW
(DOOR NOT SHOWN)

SIDE VIEW

SWMLP2410-BK HUB & PATCHING ENCLOSURE

INCLUDES:

- (1) PAIR ANGLED PATCH PANEL RAILS, 19" EIA 12-24 TAPPED
- (1) PAIR 4U HUB MOUNTING BRACKET, EIA 12-24 TAPPED
- DOOR LOCK
- GROUND STUDS ON DOOR AND CABINET BODY
- (20) PCS #12-24 HARDWARE

DIMENSIONS

HEIGHT: 24.00"
 WIDTH: 24.00"
 DEPTH: 10.00"

DOOR

LOUVERED RECESSED AND REMOVABLE
 DIE CAST ZINC CAM LOCK
 DIMS: 20.00"H X 21.84"W X 0.63"D



PROPRIETARY AND CONFIDENTIAL
 THE INFORMATION CONTAINED IN THIS
 DRAWING IS THE SOLE PROPERTY OF
 SIGNATURE PRODUCTS, ANY
 REPRODUCTION IN PART OR AS A WHOLE
 WITHOUT THE WRITTEN PERMISSION OF
 SIGNATURE PRODUCTS IS PROHIBITED.

TITLE:
LOW PROFILE ENCLOSURE
 24.00" X 24.00" X 10.00"

SIZE	DWG. NO.	REV
A	SWMLP2410-BK	-
SCALE: 1:14		WT: 42 LBS
SHEET 1 OF 1		