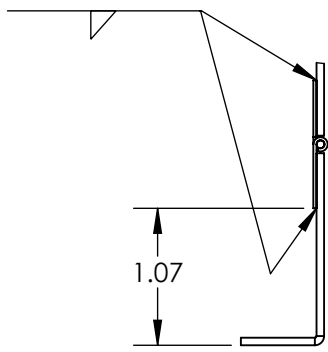


**NOTE:**  
 1. SUPPLY (20) PCS  
 CAGE NUT HARDWARE.



DETAIL A  
 SCALE 1 : 1.5

Item No.	Part No.	Description	Qty.
1	WM-1112	Wall Bracket 7.000X1.500X.650	1
2	WM-1113	Wall Bracket 19.000X7.000X4.363	1
3	1582A452 (24in Long)	7" Piano Hinge	1



DIMENSIONS ARE IN INCHES  
 TOLERANCES:  
 TWO PLACE DECIMAL ±.03  
 THREE PLACE DECIMAL ±.010

TITLE: Wall Bracket Hinged Rails  
 Cage Nut  
 19.00X7.00X6.00

<b>PROPRIETARY AND CONFIDENTIAL</b> THE INFORMATION CONTAINED IN THIS DRAWING IS THE SOLE PROPERTY OF SIGNATURE PRODUCTS. ANY REPRODUCTION IN PART OR AS A WHOLE WITHOUT THE WRITTEN PERMISSION OF SIGNATURE PRODUCTS IS PROHIBITED.	THK:	.059	SIZE	DWG. NO.	REV
	BD:				
	MAT'L:	CRS	A	SWBV19CN04-FBK	-
		NAME DATE			
DRAWN BY:	SM	07/25/2019	SCALE: 1:8	WT: 3.7 LBS.	SHEET 1 OF 1
CHK'D BY:					